

CITY II DIMMABLE LED DOWNLIGHT

SKU# 170600, 170601, 170602, 170603, 170604, 170605, 170606, 170607

Rated Voltage 220-240V~ 50Hz

Thank you for purchasing this quality Lucci product. To ensure correct function and safety, please read and follow all instructions carefully before assembly, installation and use. Please keep instructions for future reference.

Warranty

- This light fitting is covered by a 5 year warranty. The warranty is from date of purchase, not the date of installation. Please retain proof of purchase.
- The use of non-compatible dimmers may damage your LED light fitting and will void your warranty.
- Warranty will be void if there is any damage due to improper usage or modification to the fitting.
- Failure to comply with the instructions in this manual may increase the risk of damage or injury and will void warranty.

Installation Requirements

- Before installation, check the installation location in the ceiling has access to a socket outlet which is connected to a wall light switch and dimmer. If it does not, please contact a licensed electrician to arrange installation of the socket outlet, wall light switch and dimmer before continuing.
- All wiring and installation of the light fitting must adhere to local and national wiring rules. eg. AS/NZS 3000:2007/Amendment 2:2012 Electrical installations. If unsure, please contact a licensed electrician.
- The fitting is rated IP44 only after it is fully installed, this must be maintained during installation.
NOTE: The LED driver and the back part of the fitting is rated IP20.

- Select a suitable location for installation:

- The mounting point must support 2 times the weight of the fitting.
- This fitting is suitable for indoor or outdoor use, provided that it is installed under cover or under eaves.

- This fitting is dimmable and has been tested at the date of publication with the dimmers listed in the specification section. The use of a LED dimmer such as the Lucci LEDlux SKU# 290998 or SKU# 290997 dimmer is highly recommended.

NOTE: For the best dimming range, use with the Lucci LEDlux SKU# 290998 dimmer and adjust the variable resistor at minimum and maximum dimming positions on the dimmer during the installation.

NOTE: Dimming may cause buzzing sounds or a slight flicker. There may be slight delays with the LED light start up or slight uneven light performance when more than one LED light fitting is linked together, switched ON or dimmed. This is not a product fault and as such is not covered under warranty.

NOTE: Some dimmers have a minimum load of 20W. Ensure the dimmer position is on the maximum setting before turning on the LED light and adjust the dimmer down to your desired light level.

- This fitting has an insulating ceiling type IC-4 rating. Building insulation material can safely be exposed continuously to temperatures up to 90°C may abut and cover the luminaire. (Please refer to the Clearance Information section and the IC-4 Rating section in this instruction manual for further details.)
- If loose fill insulation or thermal insulation is not fixed into position or if there are loose combustible materials (e.g. leaves or combustible materials stored in the roof space), a barrier or guard is required as per the Clearance Information section in this instruction manual.
- The LED driver must be placed at least 100mm away from the LED downlight module to allow for cooling.
- The LED driver can be placed under the insulation. (Please refer to the Clearance Information section in this instruction manual for further details.)
- The LED downlight module is only suitable for use with Lucci LED Driver **model#: ES0091D-E022.**
- The fitting must not be used if the diffuser on the LED downlight module has been damaged or cracked.

- Take care not to pull any electrical wires during unpacking as this may damage the connection.
- Lay out all the components on a smooth surface and make sure there are no components missing before assembling. If parts are missing, return the complete product to the place of purchase for inspection or replacement.
- Check whether the fitting has been damaged during transport. Do not operate/install any product which appears damaged in any way. Return the complete product to the place of purchase for inspection, repair or replacement.
- Ensure power to the circuit you are working on has been switched OFF before commencing any electrical work.

Installation Directions

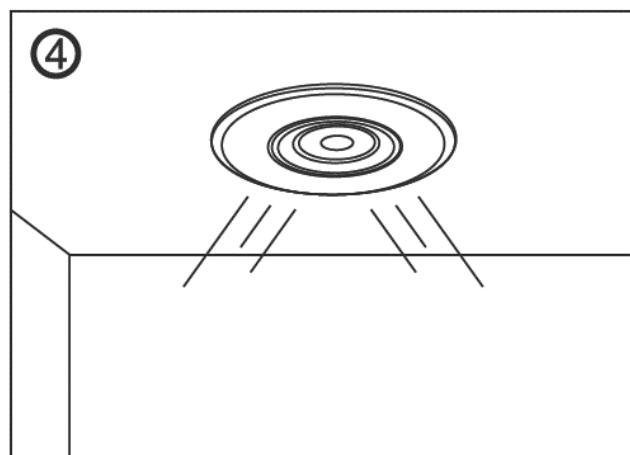
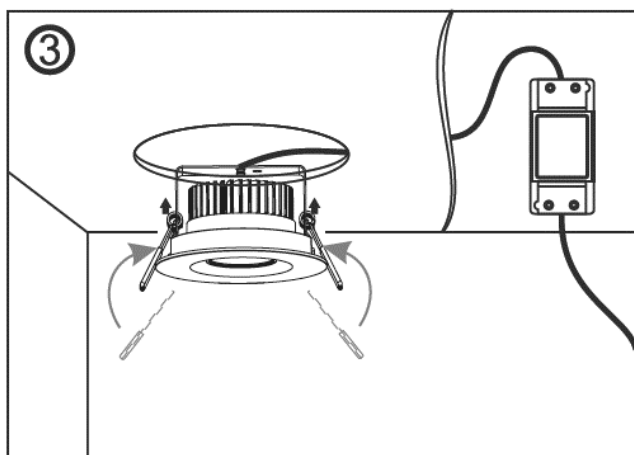
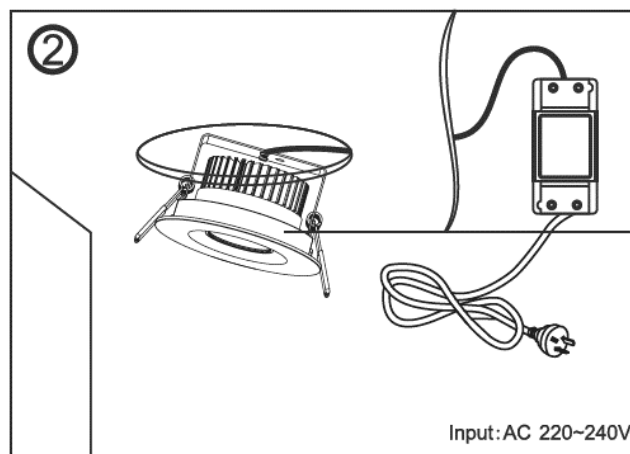
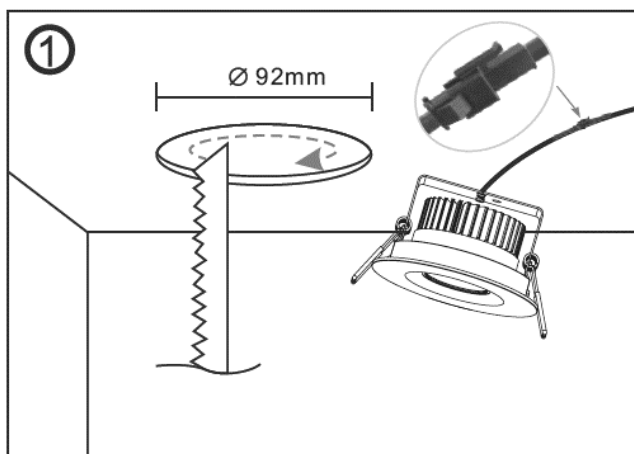
1. Remove all packaging material from the product and be careful not to throw away accessories that may be hidden within the packaging material.

NOTE: Before installation, plug the fitting into a socket outlet to ensure the LED downlight is working correctly.

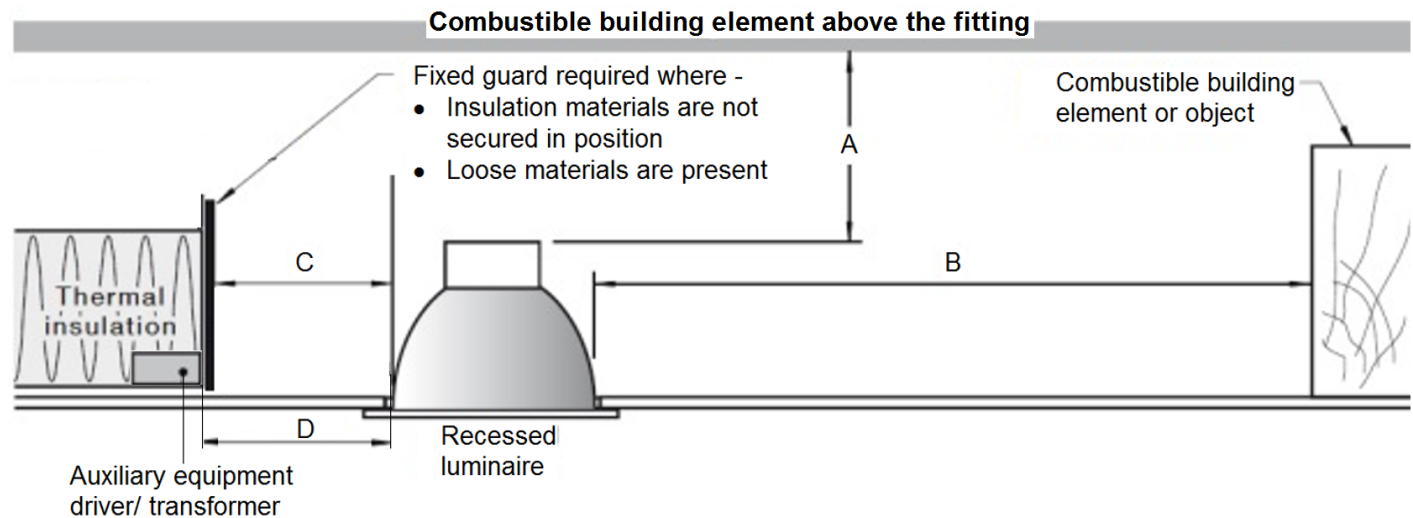
2. Cut an installation hole of $\varnothing 92\text{mm}$ into the ceiling. (Figure 1).
3. Join the connectors together and connect the fitting plug to the socket outlet. (Figure 2).
4. Push the springs up and put the LED downlight module up through the cut-out hole and into the ceiling (Figure 3).
5. Ensure all the clearance values are maintained during and after installation of the LED downlight module, LED driver, thermal insulation, loose fill insulation, loose combustible materials and any structural members.

Please refer to the Clearance Information section and the IC-4 section in this instruction manual for further details.

6. After the installation, switch on the fitting to test all the lighting functions and enjoy your new lighting product.

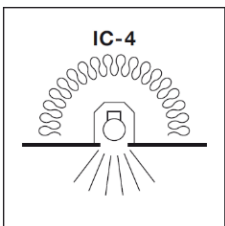


Clearance Information – AS/NZS 3000 Wiring Rules



LOCATION	DISTANCE	DESCRIPTION
A	50 mm (Minimum)	Clearance between the top of the recessed luminaire and any combustible materials, building elements or objects above it.
B	50 mm (Minimum)	Clearance between the side of the recessed luminaire and any combustible materials, building elements or objects.
C	0 mm (Abutted)	Insulation can be abutted against the side of recessed luminaire and covered as per IC-4 Rating. See IC-4 Rating section for more details.
D	100mm	Auxiliary equipment/driver/transformer must be placed 100mm away from the luminaire. It can be placed under the thermal insulation and covered.

IC Rating – AS/NZS 60598.2.2: 2016



1. A closed luminaire that allows building insulation to come into contact with its sides and to cover it.
2. Type IC-4 recessed luminaire can be used together with building insulation that can safely be exposed continuously to temperatures up to 90°C may abut and cover the luminaire;
3. The declared IC-4 rating is based on the default testing ambient temperatures 25°C according to the standard.

RISK OF FIRE – Required clearance from structural members and building elements
 SCB = 50 mm HCB = 50 mm

Safety tips

- Always ensure the power is OFF and the fitting has cooled down before performing any maintenance, cleaning or making any adjustment to the fitting.
- To avoid injury or damage to the fitting, ensure that power leads and screws are secure before connecting the power.
- Select a suitable location away from liquids and hazards.
- Ensure that the fitting does not come in contact with corrosive chemicals, etc.
- To clean, wipe with a damp clean cloth. Never soak the fitting with water.

Troubleshooting		
PROBLEM	POSSIBLE CAUSE	SUGGESTED SOLUTION
Does not work. (New installation)	Wiring loose or no power to the downlight.	Check your circuit breaker/safety switch box and turn on power to your circuit.
		Unplug the downlight and test in a functional socket outlet with power. If the downlight does not switch on then contact your nearest Beacon Lighting store. If the downlight is working, have your licensed electrician check the wiring or socket outlet to the downlight.
Does not work. (Existing installation)	No power to the downlight.	Check your circuit breaker/safety switch box and turn on power to your circuit.
		Contact your nearest Beacon Lighting store.
Flickers when dimming. (New installation)	Non-compatible dimmer used.	Check the dimmer used. Ensure the dimmer used is on the list of compatible dimmers in this manual.
	Some dimmers have a variable loading adjustment function. eg. Lucci LEDlux SKU# 290998 dimmer. This may not have been adjusted during the installation of the dimmer.	The variable resistor needs to be adjusted to suit the downlight load to reduce the flickering.
Flickers when dimming. (Existing installation)	Dimmer position on low.	Ensure the dimmer position is on the maximum setting before turning on the downlights and adjust the dimmer down to your desired light level.
Buzzing sound.	Non-compatible dimmer used.	Check the dimmer used. Ensure the dimmer used is on the list of compatible dimmers in this manual.
Uneven light start up.	Dimmer position on low when switched on.	Ensure the dimmer position is on the maximum setting before turning on the downlights and adjust the dimmer down to your desired light level.

Specifications – V5.1

SKU #	170600	170601	170602	170603	170604	170605	170606	170607
Colour	White	Black	Brushed Brass	Brushed Chrome	White	Black	Brushed Brass	Brushed Chrome
Rated Voltage	INPUT: 220-240V~ 50Hz, OUPUT: 33-40VDC, 0.22A, constant current,							
Rated Wattage	10W							
LED Specs	HONGLI LED, 3000K, 800 lumens				HONGLI LED, 4000K, 800 lumens			
Dimmer Information	Highly Recommended Dimmers				Compatible Dimmers			
	Lucci LEDlux SKU# 290998, SKU# 290997				LUMEX Load Smart LT1D450LS; DIGINET LED Smart MEDM; Clipsal 31E2RUDM, 32E450TM, 32E450UDM, 31E2PUDM and 32ELEDM; HPM: Cat. 400T			
Weight	0.42kg							
Cut-out Size	Φ92mm							
IP Rating	IP44 for LED downlight module							
Dimensions	D:104mm x H:67mm							
Serviceable Parts	LED downlight module and LED driver are both serviceable.							
LED Driver Model #	ES0091D-E022							