

PHAROS 5LT LED PENDANT

SKU# 020672, 020675

Rated Voltage 220-240V~ 50Hz

Thank you for purchasing this quality Lucci product. To ensure correct function and safety, please read and follow all instructions carefully before assembly, installation and use of this luminaire. Please keep instructions for future reference.

Warranty

- This luminaire is covered by a 3 year warranty. The warranty is from date of purchase, not the date of installation.
- If the luminaire is not assembled and installed by a licensed electrician the warranty will be void.
- Please retain proof of purchase and evidence of installation by a licensed electrician for any warranty enquiries.
- Warranty will be void if there is any damage due to improper usage or modification to the luminaire.
- Failure to comply with the instructions in this manual may increase the risk of damage or injury and will void warranty.
- This luminaire is not suitable for use with dimmer switches. Warranty will be void if this luminaire is used on the same circuit which has a dimmer switch.

Installation Requirements

- Must be assembled and installed by a licensed electrician.
- All wiring and installation of the luminaire must adhere to local and national wiring rules. eg. AS/NZS 3000:2007/Amendment 2:2012 Electrical installations.
- This luminaire is a Class II product, this must be maintained during wiring and installation.
- Select a suitable location for installation:
 - This luminaire is suitable for indoor use only.
 - The mounting point must support 2 times the weight of the luminaire.
 - Ensure the luminaire is not installed in direct line of an air vent/system.
 - If installing a luminaire in an area prone to moisture, ensure that the area is well ventilated and an appropriately rated exhaust fan is used if required. Damage or corrosion caused by moisture is not a product fault, and as such is not covered under warranty.
- This luminaire is not suitable for use with dimmer switches. Warranty will be void if this luminaire is used on the same circuit which has a dimmer switch.
- Take care not to pull any electrical wires during unpacking as this may damage the connection.
- Lay out all the components on a smooth surface and make sure there are no components missing before assembling. If parts are missing, return the complete product to the place of purchase for inspection or replacement.
- Check whether the luminaire has been damaged during transport. Do not operate/install any luminaire which appears damaged in any way. Return the complete product to the place of purchase for inspection, repair or replacement.
- Ensure power to the circuit you are working on has been switched OFF before commencing any electrical work.

Installation Directions

NOTE: Due to the size of the luminaire, two people may be required to lift up the luminaire during installation

1. Remove all packaging material from the product and be careful not to throw away accessories that may be hidden within the packaging material. If assembly is required, place the luminaire on a smooth non-scratch surface.
2. Remove the mounting bracket (B) from the canopy by loosening the decorative cover (E) and nut (D).
3. Use the mounting bracket (B) as a template to mark the screw positions on the ceiling.
4. Install the mounting bracket (B) onto the ceiling by using appropriately sized mounting screws (C) and anchors (A). Ensure the screws (C) and anchors (A) used are suitable for the mounting surface and the surrounding environment.
5. Remove the cover from the terminal box (K) and connect the mains supply wire to the terminal block (K).

Mains Supply Wire

Neutral – Blue or Black

Live – Brown or Red

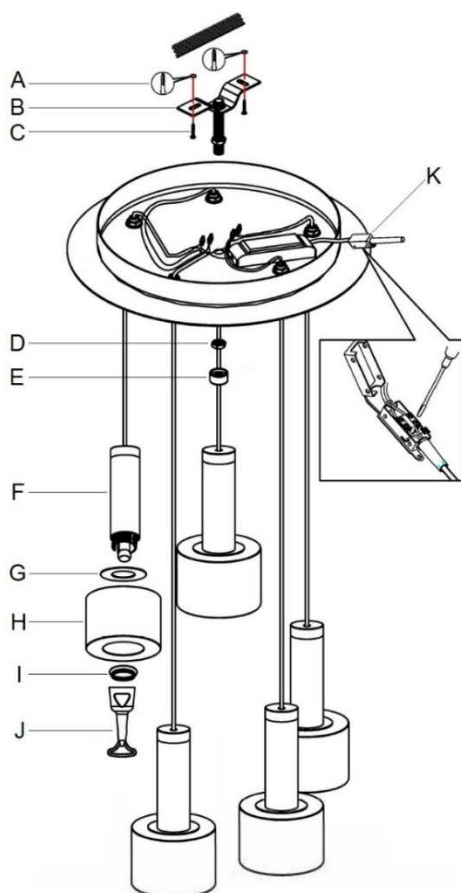
Fitting Wire

Blue (N)

Brown (L)

6. Ensure the wires are secure and no bare wires are exposed. Install the cover back onto the terminal box (K).

7. Install the canopy onto the mounting bracket (B) by tightening the nut (D) and decorative cover (E).
8. Install the washer (G) onto the luminaire (F) followed by the shade (H) and secure with the ring (I) using the tool (J) provided.
9. After the installation, switch on the luminaire to test all the lighting functions and enjoy your new luminaire.



Safety Tips

- Always ensure the power is OFF and the luminaire has cooled down before performing any maintenance, cleaning or making any adjustment to the luminaire.
- To avoid injury or damage to the luminaire, ensure that power leads and screws are secure before connecting the power.
- Select a suitable location away from liquids and hazards.
- Ensure that the luminaire does not come in contact with corrosive chemicals/solvents or abrasive cleaners etc.
- To clean, wipe with a soft damp cloth. Do NOT soak or immerse the luminaire in water or other liquids.
- The light source of this luminaire is not replaceable; when the light source reaches its end of life the whole luminaire shall be replaced.

Specifications

SKU #	020672	020675
Model Nr.	201778	203202
Colour	Brushed Chrome/Frosted Glass	Black/Smoke Glass
Rated Voltage	220-240V~ 50Hz	
Rated Wattage	18.5W Max.	
LED specs	3000K, 1650 lumens, non-dimmable	3000K, 850 lumens, non-dimmable
Weight	6.9kg	
Dimensions	H:159mm Dia:350mm Susp:2000mm	