

DAYTONA SURFACE MOUNT ADJUSTABLE DOWNLIGHT

SKU# 177729, 177730

Rated Voltage 220-240V~ 50Hz

Thank you for purchasing this quality MFL product. To ensure correct function and safety, please read and follow all instructions carefully before assembly, installation and use of this luminaire. Please keep instructions for future reference.

Warranty

- This luminaire is covered by a **5 year** warranty. The warranty is from date of purchase, not the date of installation.
- If the luminaire is not assembled and installed by a licensed electrician it will void the warranty.
- Please retain proof of purchase and evidence of installation by a licensed electrician for any warranty enquiries.
- The use of non-compatible dimmers may damage the LEDs and will void the warranty.
- Warranty will be void if there is any damage due to improper usage or modification to the luminaire.
- Failure to comply with the instructions in this manual may increase the risk of damage or injury and will void warranty.

Installation Requirements

- Must be assembled and installed by a licensed electrician.
- All wiring and installation of the luminaire must adhere to the latest local and national wiring rules.
eg. AS/NZS 3000 Electrical installations.
- This luminaire is a Class I product and must be earthed during wiring and installation.
- Select a suitable location for installation:
 - This luminaire is suitable for indoor use only.
 - The mounting point must support 2 times the weight of the luminaire.
 - Ensure the luminaire is not installed in direct line of an air vent/system.
 - If installing a luminaire in an area prone to moisture, ensure that the area is well ventilated and an appropriately rated exhaust fan is used if required. Damage or corrosion caused by moisture is not a product fault, and as such is not covered under warranty.
- This luminaire is dimmable and has been tested at the date of publication with the dimmers listed in the specification section. The use of a LED dimmer such as the Lucci LEDlux SKU# 290998 or SKU# 290997 dimmer is highly recommended.

NOTE: For the best dimming range, use with the Lucci LEDlux SKU# 290998 dimmer and adjust the variable resistor at minimum and maximum dimming positions on the dimmer during the installation.

NOTE: Dimming may cause buzzing sounds or a slight flicker. There may be slight delays with the LED luminaire start up or slight uneven light performance when more than one LED luminaire is linked together, switched ON or dimmed. This is not a luminaire fault and as such is not covered under warranty

NOTE: Some dimmers have a minimum load of 20W. Ensure the dimmer position is on the maximum setting before turning on the LED luminaire and adjust the dimmer down to your desired light level.

- Take care not to pull any electrical wires during unpacking as this may damage the connection.
- Lay out all the components on a smooth surface and make sure there are no components missing before assembling. If parts are missing, return the complete product to the place of purchase for inspection or replacement.
- Check whether the luminaire has been damaged during transport. Do not operate/install any product which appears damaged in any way. Return the complete product to the place of purchase for inspection, repair or replacement.
- Ensure power to the circuit you are working on has been switched OFF before commencing any electrical work.

Installation Directions

1. Remove all packaging material from the product and be careful not to throw away accessories that may be hidden within the packaging material. If assembly is required, place the luminaire on a smooth non-scratch surface.
2. Adjust the head 90° and remove the top part of the luminaire by loosening the 2 screws. Fig.1
3. Use the top part of the luminaire as a template to mark the screw positions on the mounting surface. Fig. 2
4. Install the top part of the luminaire onto the mounting surface by using appropriately sized screws and anchors. Ensure the screws and anchors used are suitable for the mounting surface and the surrounding environment. Fig. 2
5. Connect the mains supply wire to the terminal block. Fig. 3

Mains Supply Wire

Earth – Yellow/Green

Neutral – Blue

Live – Brown

Luminaire Wire / Terminal Block

Yellow/Green or 

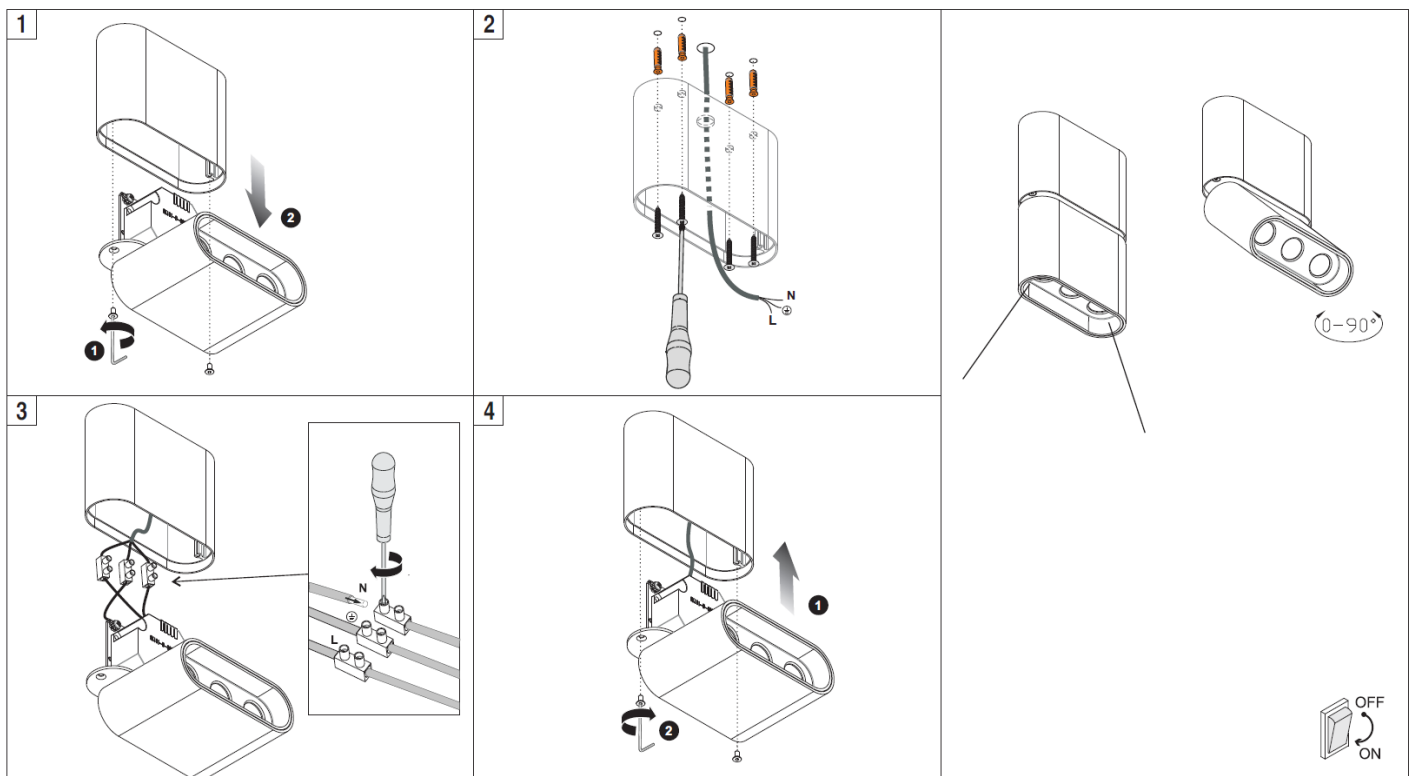
Blue or N

Brown or L

6. Ensure the wires are secure and no bare wires are exposed. Fig. 3
7. Install the head back onto the top part of the luminaire and secure by tightening the screws. Fig. 4
8. Adjust the head to your desired position. Fig. 5

NOTE: Do not adjust the head up and down more than 90° as this may damage the knuckle joint or damage the internal wiring.

9. After the installation, switch on the luminaire to test and enjoy your new lighting product. Fig. 5



NOTE: Do not adjust the head up and down more than 90° as this may damage the knuckle joint or damage the internal wiring.

Safety Tips

- Always ensure the power is OFF and the luminaire has cooled down before performing any maintenance, cleaning or making any adjustment to the luminaire.
- To avoid injury or damage to the luminaire, ensure that power leads and screws are secure before connecting the power.
- Select a suitable location away from liquids and hazards.
- Ensure that the luminaire does not come in contact with corrosive chemicals/solvents or abrasive cleaners etc.
- To clean, wipe with a soft damp cloth. Do NOT soak or immerse the luminaire in water or other liquids.
- The light source of this luminaire is not replaceable; when the light source reaches its end of life the whole luminaire shall be replaced.

Specifications

SKU #	177729	177730
Colour	White	Black
Rated Voltage	INPUT: 220-240V~ 50Hz	
Rated Wattage	11W	
LED Specs	Dimmable LEDs, 3000K, Total 600 lumens	
Weight	0.7kg	
Dimensions	L:105mm W:102mm H:160mm Max.	
Dimmer Information	Highly Recommended Dimmers	Lucci LEDlux SKU# 290998, SKU# 290997
	Compatible Dimmers	Buster & Punch: DIM-002; LUMEX: Load Smart LT1D450LS; DIGINET: LED Smart MEDM; Clipsal: 31E2RUDM, 32E450UDM, 31E2PUDM, 32ELEDM and 32E450TM; HPM: Cat. 400T, Cat. 400L