



LUCCI
AIRFUSION QUEST II
CEILING FAN
WITH IR REMOTE

- **INSTALLATION**
- **OPERATION**
- **MAINTENANCE**
- **WARRANTY INFORMATION**

CAUTION
READ INSTRUCTIONS CAREFULLY FOR SAFE
INSTALLATION AND FAN OPERATION.

GB**THANK YOU FOR PURCHASING**

Thank you for purchasing this quality Lucci product. To ensure correct function and safety, please read and save all instructions before using the product.

SAFETY PRECAUTIONS

The information contained in the following pages has been prepared to ensure you of trouble-free operation of your ceiling fan.


1. In Europe: This appliance can be used by children aged from 8 years and above and persons with reduced physical, sensory or mental capabilities or lack of experience and knowledge if they have been given supervision or instruction concerning use of the appliance in a safe way and understand the hazards involved. Cleaning and maintenance shall not be undertaken by children without supervision.
2. In Australia: This appliance is not intended for use by young children or infirm persons unless they are adequately supervised by a responsible person to ensure that they can use the appliance safely.
3. Children should be supervised to ensure that they do not play with the appliance.
4. An all-pole disconnection switch must be incorporated into the fixed wiring, in accordance with local wiring rules.

IN AUSTRALIA:**WARNING: FOR SAFE USE OF THIS FAN AN ALL-POLE DISCONNECTION SWITCH MUST BE INCORPORATED INTO THE FIXED WIRING.**

This is in accordance with the latest standard AS/NZS 60335-1.

Please note warranty will be void if installed without an all-pole disconnection switch.

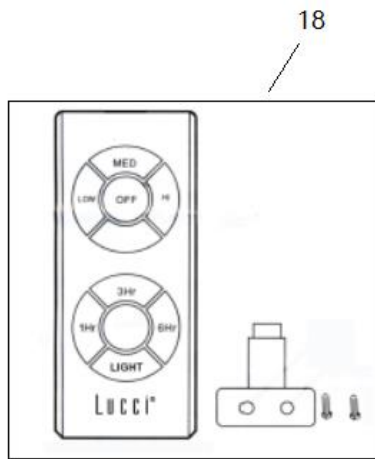
If a fan is connected to a circuit that can be isolated via an all-pole safety switch at the switchboard, then this is considered to be an all-pole isolation switch.

5. Do not dispose of electrical appliances as unsorted municipal waste, use separate collection facilities. Contact your local government for information regarding the collection systems available. If electrical appliances are disposed of in landfills or dumps, hazardous substances can leak into the groundwater and get into the food chain, damaging your health and well-being. 
6. The structure to which the fan is to be mounted must be capable of supporting a weight of 30kg.
7. The fan should be mounted so that the blades are at least 2.3 metres above the floor in Europe or 2.1 metres above the floor in Australia
8. This fan is designed for indoor use only. Mounting the fan in a location where it is subject to water or moisture is dangerous and will void the warranty.
9. Only a licensed electrician should execute the installation.



BEFORE INSTALLATION

Unpack the fan and carefully identify the parts. Please refer to Fig 1.



- Wall plugs (1) for screw (6) x 2
- Canopy screw (2) x 4
- Mounting bracket (3) x 1
- Screw (6) for mounting bracket x 2
- Bladed screws (7) x 9
- Blade holder screw set (8,11) x 13
- Blade holder (9) x 4
- Blade (10) x 4
- Pre-assembled fan motor, down rod and canopy (12) x 1
- Decorative cover (13) x 1
- Light connector (14) x 1
- Light base (15) x 1
- Screw nut (16) x 1
- Glass shade (17) x 1
- Infrared remote control (18) x 1 set (1 x CR2025 3V battery included)

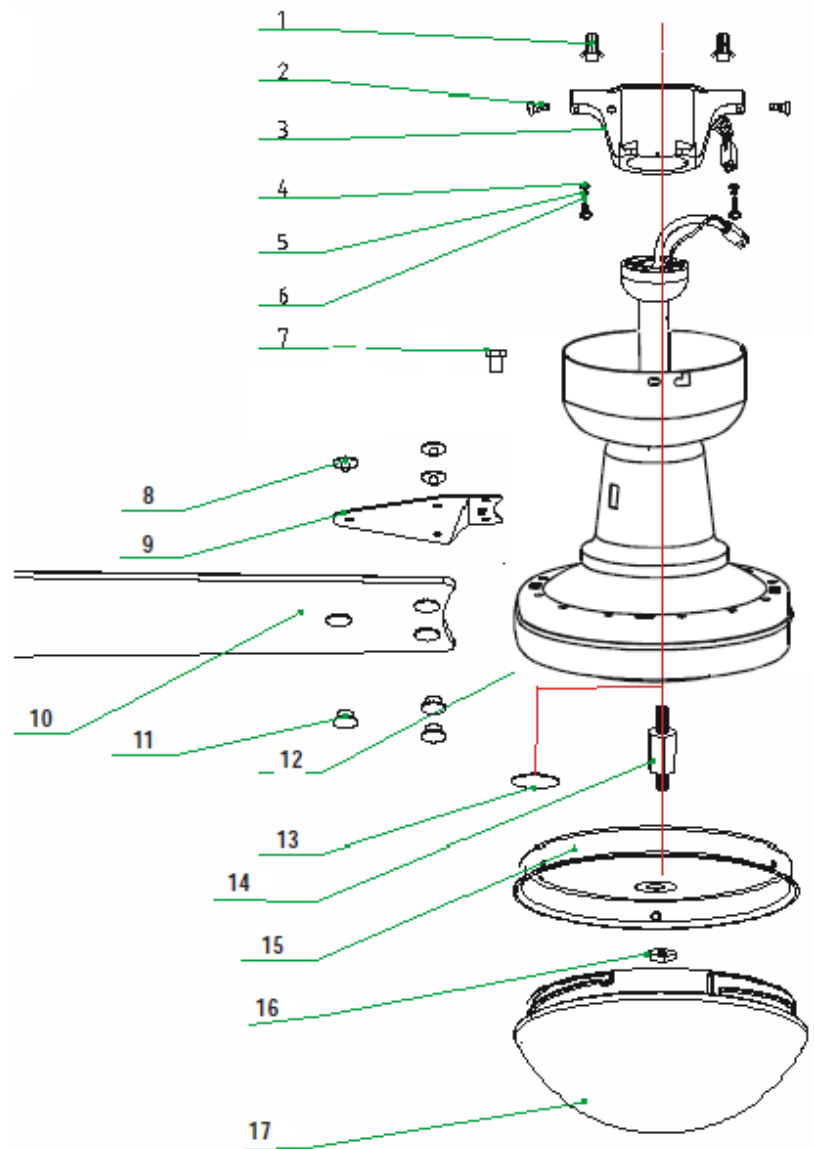


Fig. 1



INSTALLING THE MOUNTING BRACKET

- The ceiling fan must be installed in a location so that the blades are a minimum 300mm spacing from the tip of the blade to the nearest objects or walls.
- Secure the hanging bracket to the ceiling joist or structure that is capable of carrying a load of at least 30kg, with the two long screws provided. Ensure at least 30mm of the screw is threaded into the support.

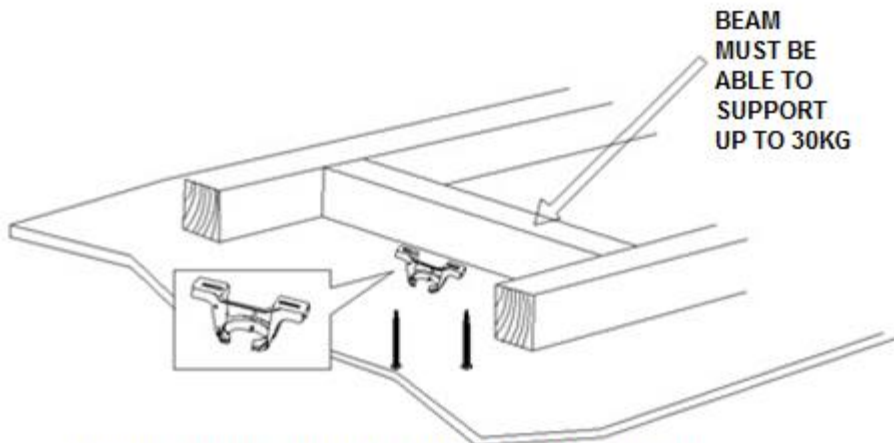


Fig. 2

NOTE: THIS PICTURE IS FOR REPRESENTATION ONLY AND DOES NOT REPRESENT THE ACTUAL BRACKET

NOTE: The bracket screws provided are for use with wooden structures only. For structures other than wood, the appropriate screw type MUST be used.

Angled Ceiling Installation

This fan hanging system supports a maximum 18 degree angled ceiling installation.

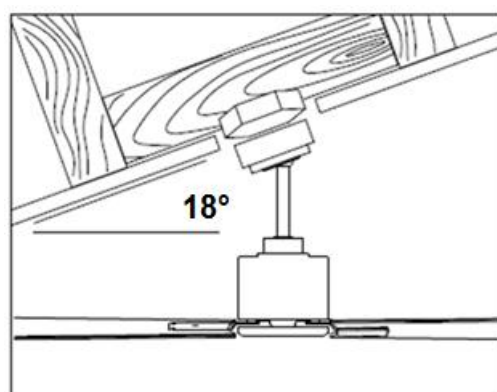


Fig. 3



HANGING THE FAN

- Lift the fan assembly onto the mounting bracket. Ensure the registration slot of the hanger ball is positioned on the stopper of the mounting bracket to prevent the fan from rotating when in operation. (Fig.4)

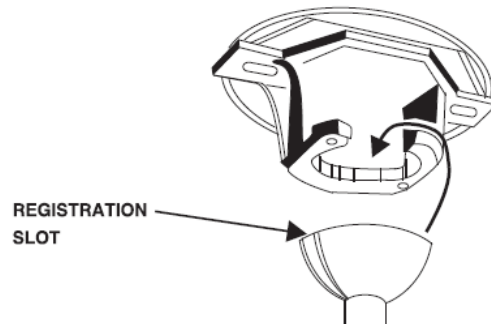


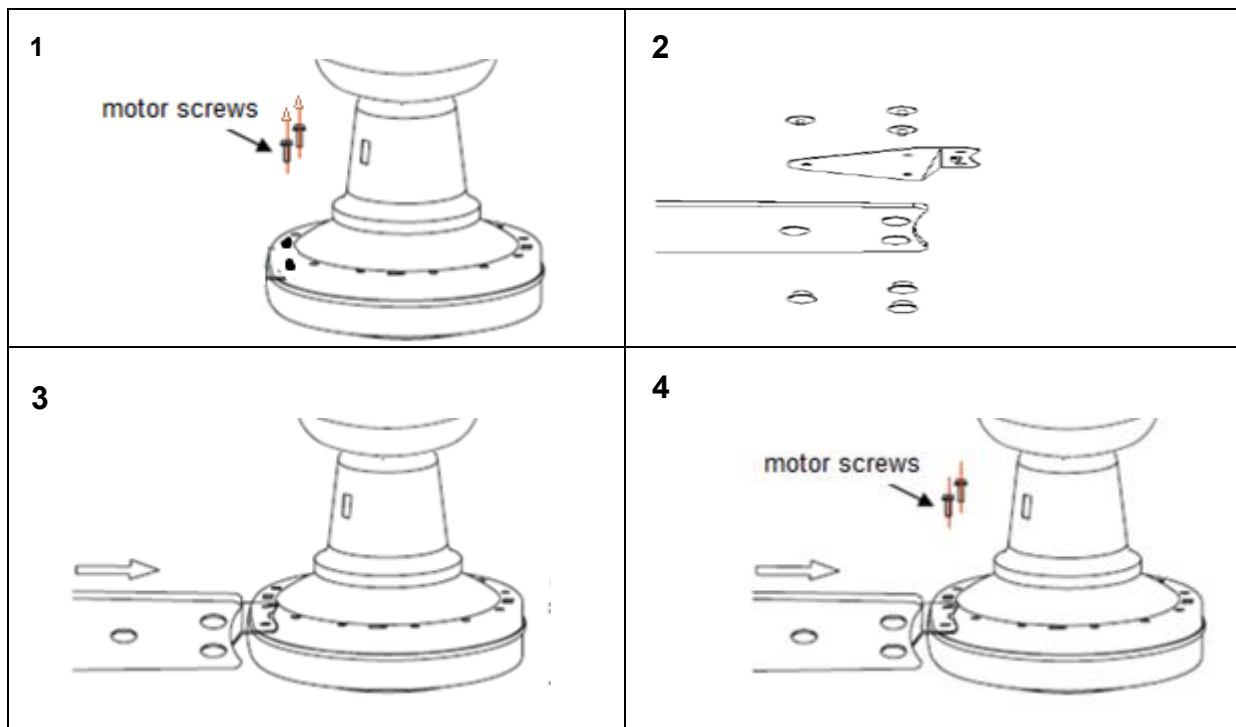
Fig. 4

FAN INSTALLATION

Blade attachment

1. Before Installing the blades, remove the motor screws.
 2. Assemble the blades & holders using the screw set.
 3. Insert the hook of the blade holder into the square hole of motor.
 4. Secure the blade on the motor by using 2 screws with washers to tighten it ensuring they are tightened simultaneously. (Take care not to over tighten as this can damage blades)
- Once completed, repeat the process on the remaining blades.

Fig. 5



LIGHT KIT INSTALLATION

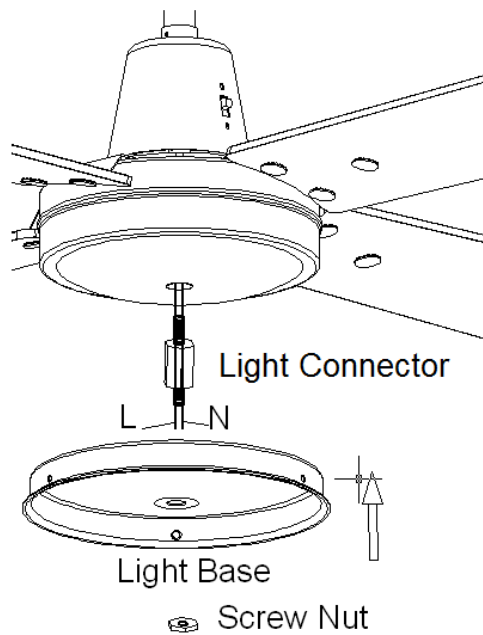


Fig. 6

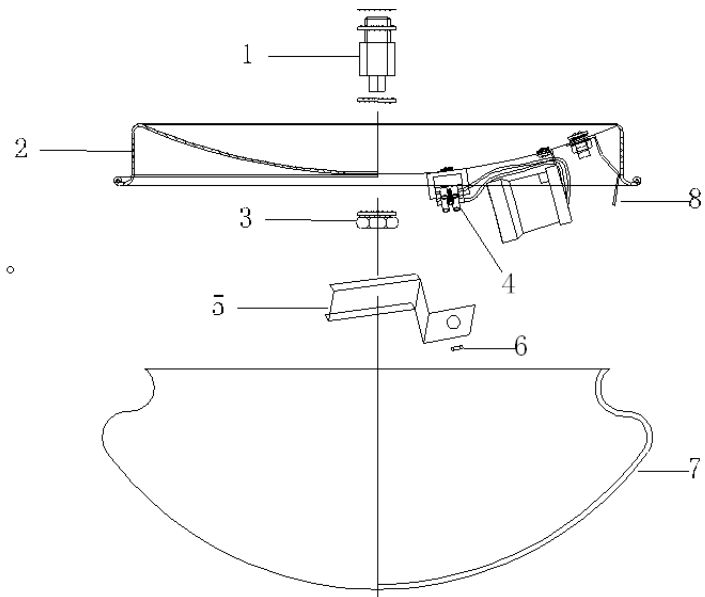


Fig. 7

1. Remove the decorative cover from the shaft.
2. Pull the L and N wire out from the shaft.
3. Insert wires through the light connector (1).
4. Tighten the light connector into the shaft firmly with a spanner.
5. Secure the light base (2) to the copper connector (1) by tightening the screw nut (3).
6. Take off the wire protective cover (5) from the terminal block (4) by loosening the screw nut (6).
7. Connect the L and N wire from fan to the terminal block (4) on the light base according to the label.
8. Re-install the wire protective cover.
9. Install the globes (not included).
10. Lift and attach the glass (7) to the lamp base and secure it by using three spring clips (8).

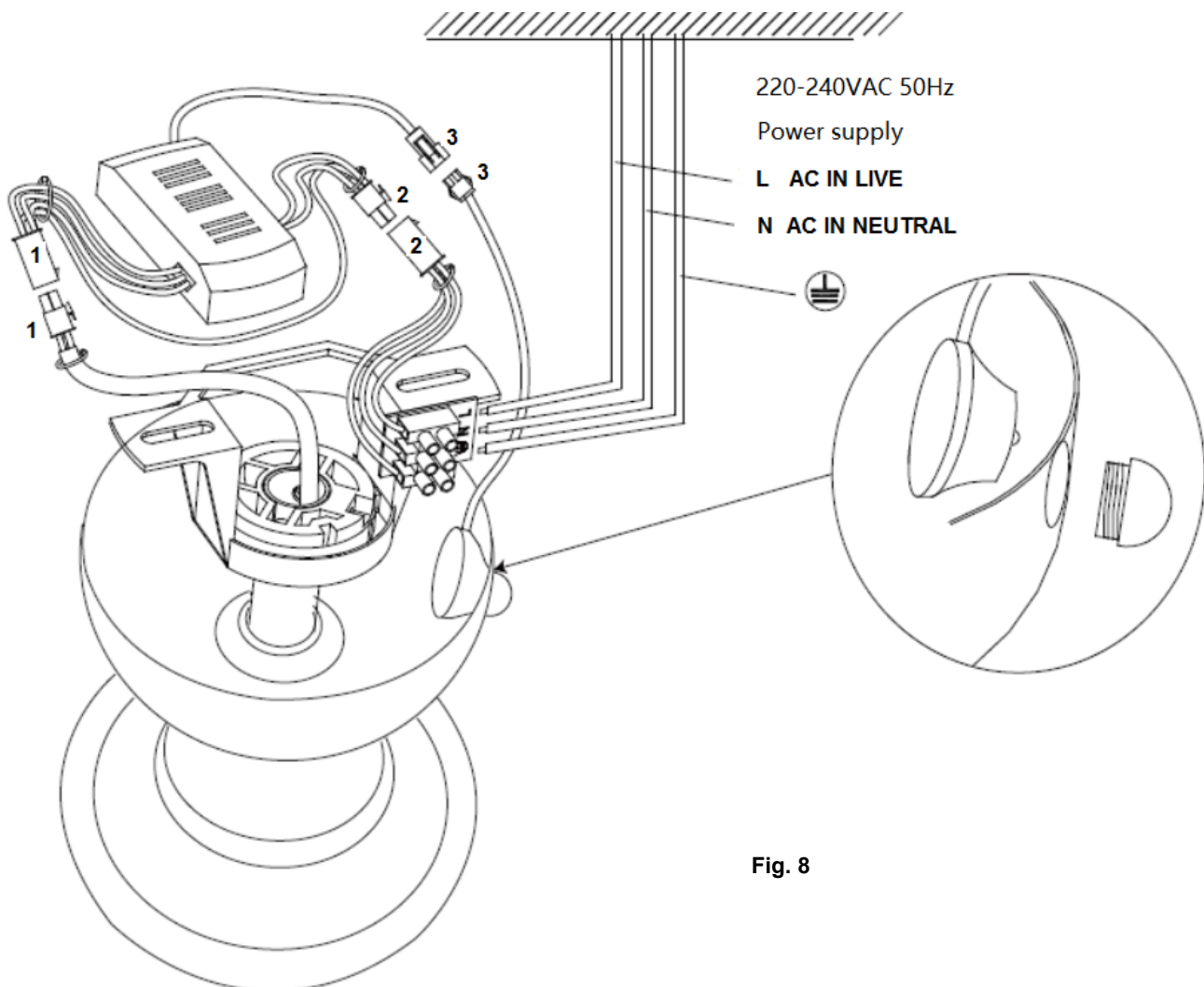


ELECTRICAL WIRING DIAGRAM

WARNING: FOR YOUR SAFETY ALL ELECTRICAL CONNECTIONS MUST BE UNDERTAKEN BY A LICENSED ELECTRICIAN.

NOTE: AN ADDITIONAL ALL POLE DISCONNECTION SWITCH MUST BE INCLUDED IN THE FIXED WIRING.

- Connect “LIVE” supply wire to the “L” of terminal block on the mounting bracket.
- Connect “NEUTRAL” supply wire to the “N” of terminal block on the mounting bracket.
- Connect “EARTH” wire to the “⊕” of terminal block on the mounting bracket.
- Connect the output connector (1) from the receiver to the connector (1) from the fan body.
- Connect the connector (2) from the fan mounting bracket to the input connector (2) from the receiver.
- Connect the connector (3) from the infrared detector to the input connector (3) from receiver.



FINISHING THE INSTALLATION

- After completing the electrical connection at the mounting bracket terminal block, connect the ceiling fan wiring via the quick connector plug.
- Cover the mounting bracket with the canopy. Ensure all electrical wiring is tucked inside the canopy and that the wires are not damaged during this step. Secure the canopy to the hanger bracket using the screws provided. Fig. 9

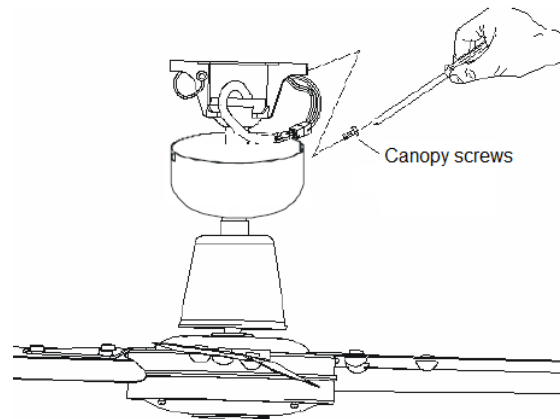


Fig. 9

USING YOUR CEILING FAN

REMOTE CONTROL

Your ceiling fan is controlled by the remote control. Before operating the remote, the following must be considered.

- 1 x CR2025 3V battery is required to operate the remote control. Pull out the battery tray (2) by pressing the click (1) of the battery tray. Place the battery (3) on the tray and insert the tray back to the remote hand set (4) indicated by "+" polarity symbol (5). Ensure the polarity is correct as shown in the battery compartment.

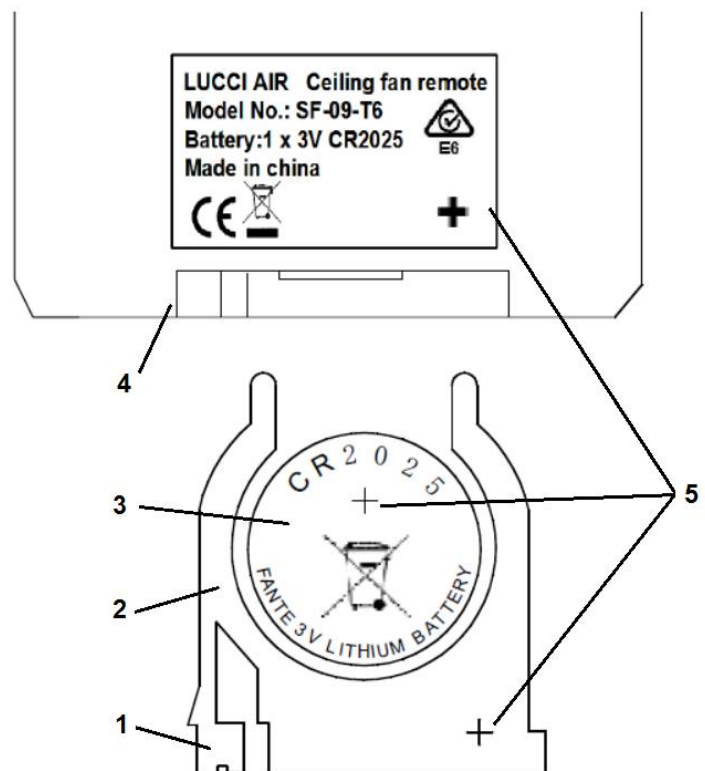


Fig. 10



OPERATING THE REMOTE:

Before you start using the remote, take the time to read through this section and get familiar with the buttons and function of each button (Fig. 11).

1. **IR TRANSMITTER**
2. **HI** button: Press this button to set the fan to run at High speed.
3. **MED** button: Press this button to set the fan to run at Medium speed.
4. **LOW** button: Press this button to set the fan to run at Low speed.
5. **OFF** button: Press this button to turn OFF the fan.
- 6 / 7 / 8. **1Hr / 3Hr / 6Hr** fan timer button: Press this button to activate the fan timer function, the fan will turn off after running for 1 hour / 3 hours / 6 hours.
10. **LIGHT** button: Press this button to turn the light ON/ OFF.

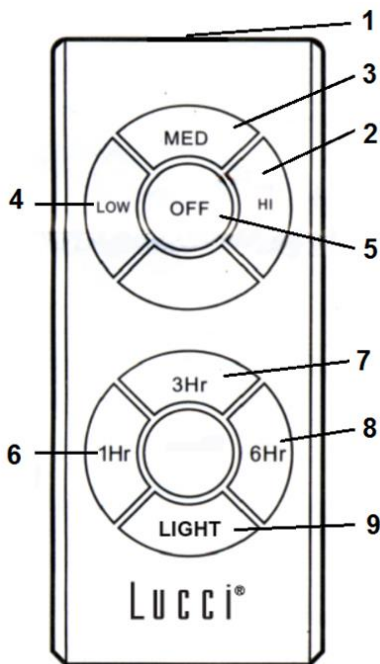


Fig. 11

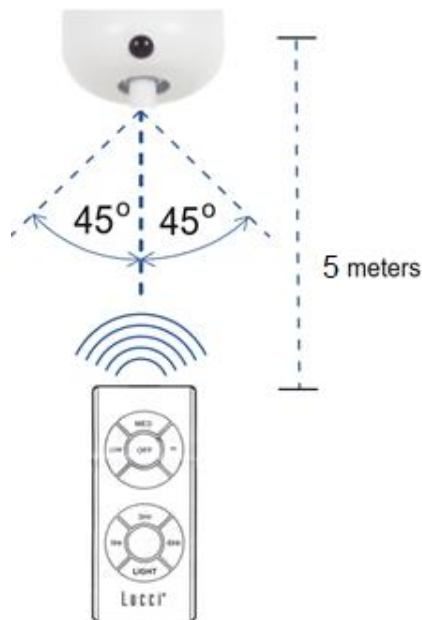


Fig. 12

The remote has memory function. If the fan or light is turned off by the isolating switch, it will memorise and recover the last status when turned on next.

Effective distance/location for IR remote control (Fig. 12)

Left from centre-line: Approximately 45 degrees

Right from centre-line: Approximately 45 degrees

Distance from remote control to receiver: 5 metres max.

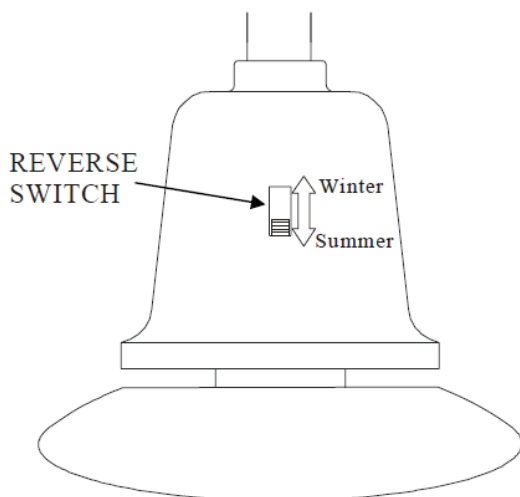


REVERSING SWITCH

Your ceiling fan can operate in either summer or winter mode.

SUMMER Mode: The reverse switch shall be in the “down” (SUMMER) position to make the fan rotate in an anticlockwise direction. The airflow will be directed downwards, for cooling in summer.

WINTER Mode: The reverse switch shall be in the “up” (WINTER) position to make the fan rotate in a clockwise direction. The airflow will be directed upwards assisting in the circulation of warm air, for energy conservation in winter.



Reverse Switch

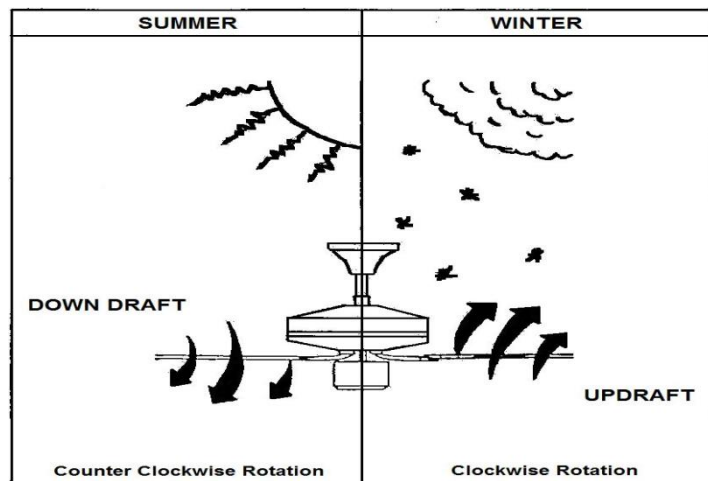


Fig. 13

AFTER INSTALLATION

WOBBLE:

NOTE: CEILING FANS TEND TO MOVE DURING OPERATION DUE TO THE FACT THAT THEY ARE MOUNTED ON A RUBBER GROMMET. IF THE FAN WAS MOUNTED RIGIDLY TO THE CEILING IT WOULD CAUSE EXCESSIVE VIBRATION. MOVEMENT OF A FEW CENTIMETRES IS QUITE ACCEPTABLE AND DOES NOT SUGGEST ANY PROBLEM.

TO REDUCE THE FAN WOBBLE: PLEASE CHECK THAT ALL SCREWS WHICH FIX THE MOUNTING BRACKET AND DOWN ROD ARE SECURE.

NOTE: This fan has been precision balanced at the factory and will not need to be balanced again.

NOISE:

When it is quiet (especially at night) you may hear occasional small noises. Slight power fluctuations and frequency signals superimposed in the electricity for off-peak hot water control, may cause a change in fan motor noise. This is normal. Please allow a 24-hour “breaking-in” period, most noises associated



with a new fan disappear during this time. The manufacturer’s warranty covers actual faults that may develop and NOT minor complaints such as hearing the motor run – All electric motors are audible to some extent.

CARE AND CLEANING:

- Periodic cleaning of your ceiling fan is the only maintenance required. Use a soft brush or lint free cloth to avoid scratching the paint finish. Please turn off electricity power when you do so.
- Do not use water when cleaning your ceiling fan. It could damage the motor or the blades and create the possibility of an electrical shock.
- The motor has a permanently lubricated ball bearing so there is no need to oil.

NOTE: Always turn off the power at the mains switch before attempting to clean your fan.

TECHNICAL INFORMATION

FAN models	Rated Voltage	Rated power (motor)	Rated power for light
48" FANS	220-240VAC	65W	1 X MAX. 60W E27
52" FANS	220-240VAC	75W	1 X MAX. 60W E27

WARRANTY INFORMATION

IN AUSTRALIA / NEW ZEALAND – Please refer to the separated WARRANTY STATEMENT.

IN EUROPE – If you are a European customer please contact the retail outlet where the fan was purchased for warranty service.

