

BOLTON LED PENDANT

SKU# 020897

Rated Voltage 220-240V~ 50Hz

Thank you for purchasing this quality Lucci product. To ensure correct function and safety, please read and follow all instructions carefully before assembly, installation and use of this luminaire. Please keep instructions for future reference.

Warranty

- This luminaire is covered by a 3 year warranty. The warranty is from date of purchase, not the date of installation.
- If the luminaire is not installed by a licensed electrician it will void the warranty.
- Please retain proof of purchase and evidence of installation by a licensed electrician for any warranty enquiries.
- The use of non-compatible dimmers may damage the LEDs and will void the warranty.
- Warranty will be void if there is any damage due to improper usage or modification to the luminaire.
- Failure to comply with the instructions in this manual may increase the risk of damage or injury and will void warranty.

Installation Requirements

- Must be assembled and installed by a licensed electrician.
- All wiring and installation of the luminaire must adhere to the latest local and national wiring rules.
eg. AS/NZS 3000 Electrical installations.
- Select a suitable location for installation:
 - This luminaire is suitable for indoor use only.
 - The mounting point must support 2 times the weight of the luminaire.
 - Ensure the luminaire is not installed in direct line of an air vent/system.
 - If installing a luminaire in an area prone to moisture, ensure that the area is well ventilated and an appropriately rated exhaust fan is used if required. Damage or corrosion caused by moisture is not a product fault, and as such is not covered under warranty.
- This luminaire is dimmable and has been tested at the date of publication with the dimmers listed in the specification section. The use of a LED dimmer such as the Lucci LEDlux SKU# 290998 or SKU# 290997 dimmer is highly recommended.
NOTE: For the best dimming range, use with the Lucci LEDlux SKU# 290998 dimmer and adjust the variable resistor at minimum and maximum dimming positions on the dimmer during the installation.
NOTE: Dimming may cause buzzing sounds or a slight flicker. There may be slight delays with the LED luminaire start up or slight uneven light performance when more than one LED luminaire is linked together, switched ON or dimmed. This is not a luminaire fault and as such is not covered under warranty.
NOTE: Some dimmers have a minimum load of 20W. Ensure the dimmer position is on the maximum setting before turning on the LED luminaire and adjust the dimmer down to your desired light level.
- Take care not to pull any electrical wires during unpacking as this may damage the connection.
- Lay out all the components on a smooth surface and make sure there are no components missing before assembling. If parts are missing, return the complete product to the place of purchase for inspection or replacement.
- Check whether the luminaire has been damaged during transport. Do not operate/install any luminaire which appears damaged in any way. Return the complete product to the place of purchase for inspection, repair or replacement.
- Ensure power to the circuit you are working on has been switched OFF before commencing any electrical work.

Installation Directions

Remove all packaging material from the luminaire and be careful not to throw away accessories that may be hidden within the packaging material. If assembly is required, place the luminaire on a smooth non-scratch surface.

1. Remove the mounting bracket (B) from the canopy (C) by loosening the screws on the side (A). Fig.2, Fig.3
2. Use the mounting bracket (B) as a template to mark the screw positions onto the ceiling. Fig.4
3. Install the mounting bracket (B) onto the ceiling by using appropriately sized mounting screws (E) and anchors (D). Ensure the mounting screws (E) and anchors (D) used are suitable for the mounting surface and the surrounding environment. Fig.4
4. Insert the LED light wire (H) through the thread connector and tighten the main rod (F) to the thread connector. You can install different main rods together to achieve your desired suspension length. Fig.7
5. For installation onto a ceiling with a pitch angle. Loosen the Allen head screw (J), adjust the main rod to the desired angle and retighten the Allen head screw (J). This pendant can be installed onto a ceiling with max. pitch angle 70°.

NOTE: Never adjust the main rod without first loosening the Allen head screw (J).

NOTE: When adjusting the main rod, do not adjust more than 70° as this may damage the wiring.

6. Connect the LED light wire (H) to the output terminal block of the driver (G). Fig.5

LED Light Wire

Positive – (+)

Negative – (-)

LED Driver Output Wire

Red or (+)

Black or (-)

7. Connect the mains supply wire to the input terminal block of the driver (I). Fig.6

Mains Supply Wire

Live – Brown

Earth – Yellow/Green

Neutral – Blue

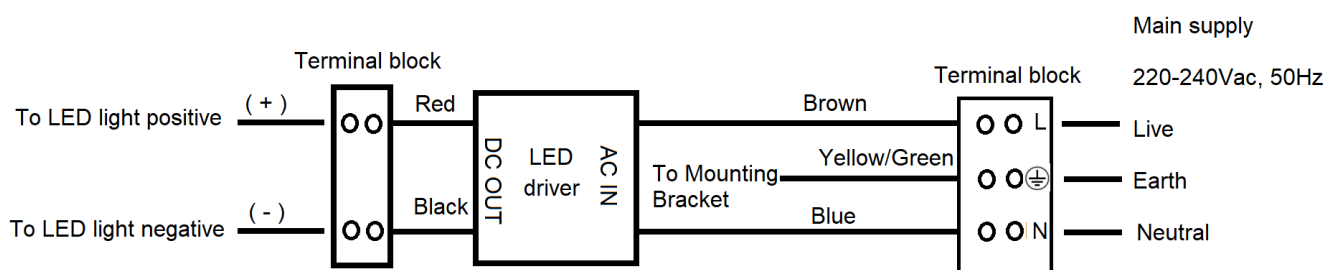
LED Driver Input Wire

Brown or L

Yellow/Green or

Blue or N

Ensure that the wires are secure and no bare wires are exposed.



8. Attach the horizontal sub rod marked with No. 1 to the main rod marked with No. 1; remove the clip stoppers from the internal wires; plug the connectors together; use the Allen key to push the wire and connector into the main rod; insert the horizontal rod into the main rod and secure it by tightening the Allen screw with Allen key provided. Fig. 7

NOTE: When installing two rods together, please make sure the direction number marked on the rods are facing the same direction.

Repeat above process to install all rods together according to the direction number marked on the rod, for example: 2 to 2, 3 to 3...etc. Fig.8

To adjust the angle of the vertical sub rods, loosen the grub screw and adjust to the desired angle and retighten the grub screw.

NOTE: Only the vertical sub rods can have their angles adjusted to keep the luminaire looking straight.

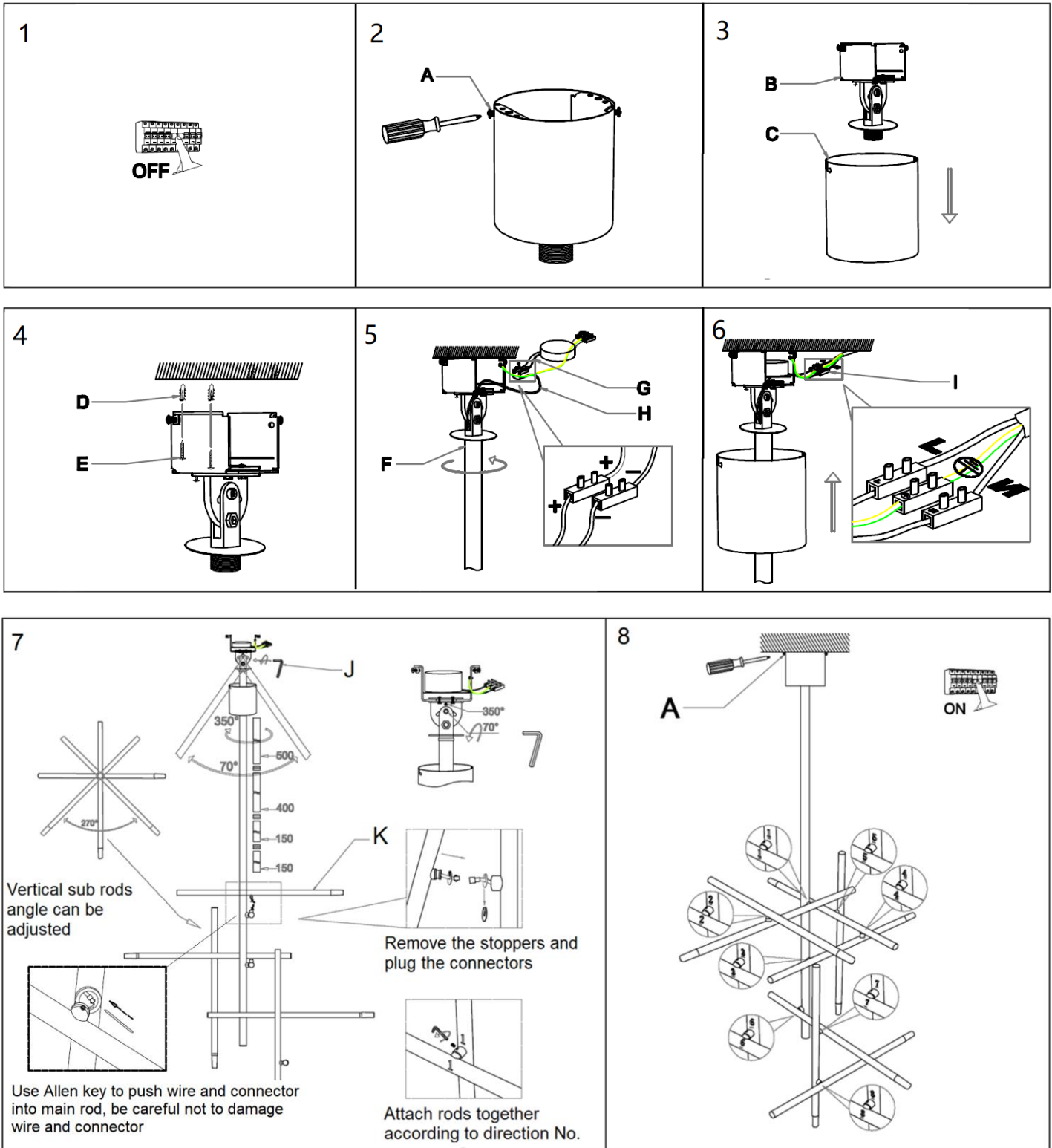
NOTE: Never adjust the vertical sub rods without first loosening the grub screw.

NOTE: When adjusting the vertical sub rod, do not adjust more than 270° as this may damage the wiring.

9. Install the canopy (C) onto the mounting bracket (B) and secure by tightening the screws (A) on the side. Fig.8
10. The whole luminaire can be rotated. There is no locking screw and this can be freely adjusted by hand.

NOTE: When rotating the luminaire, do not rotate more than 350° as this may damage the wiring.

11. After the installation, switch on the luminaire to test all the lighting functions and enjoy your new luminaire.



- NOTE:** When rotating the luminaire, do not rotate more than 350° as this may damage the wiring.
- NOTE:** Never adjust the main rod or vertical sub rods without first loosening the locking screw.
- NOTE:** When adjusting the main rod, do not adjust more than 70° as this may damage the wiring.
- NOTE:** When adjusting the vertical sub rod, do not adjust more than 270° as this may damage the wiring.

Safety Tips

- Always ensure the power is OFF and the luminaire has cooled down before performing any maintenance, cleaning or making any adjustment to the luminaire.
- To avoid injury or damage to the luminaire, ensure that power leads and screws are secure before connecting the power.
- Select a suitable location away from liquids and hazards.
- Ensure that the luminaire does not come in contact with corrosive chemicals/solvents or abrasive cleaners etc.
- To clean, wipe with a soft damp cloth. Do NOT soak or immerse the luminaire in water or other liquids.
- The light source of this luminaire is not replaceable; when the light source reaches its end of life the whole luminaire shall be replaced.

Specifications

SKU #	020897	
Colour	Black	
Rated Voltage	INPUT: 220-240V~ 50Hz	
Rated Wattage	40W	
LED Specs	Dimmable LEDs, 3000K, 2600 lumens	
Weight	6.4kg Max.	
Canopy Size	Dia: 120mm H:122mm	
Dimensions	Dia:1200mm H:1660mm Susp: 1050mm Max.	
Dimmer Information	Highly Recommended Dimmers	Compatible Dimmers
	Lucci LEDlux SKU# 290998, SKU# 290997	DIGINET LED Smart MEDM; Clipsal 31E2RUDM, 32E450UDM, 31E2PUDM, 32ELEDM and 32E450TM HPM: Cat. 400T, Cat. 400L