

MADISON TABLE LAMP

SKU# 281034, 281035, 281036

Rated Voltage 220-240V~ 50Hz

Thank you for purchasing this quality Lucci product. To ensure correct function and safety, please read and follow all instructions carefully before assembly, installation and use of this product. Please keep the instructions for future reference.

Warranty

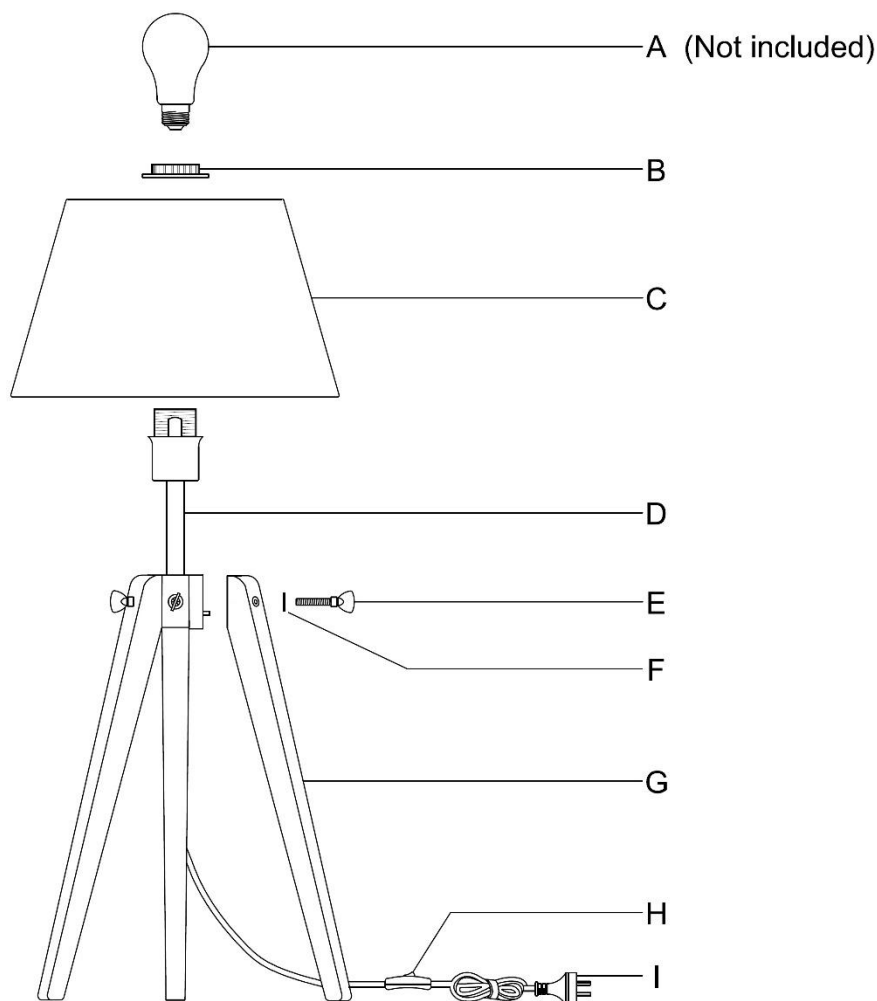
- This fitting is covered by a 12 month warranty from the date of purchase. Please retain proof of purchase.
- Warranty will be void if there is any damage due to improper usage or modification to the fitting.
- Failure to comply with the instructions in this manual may increase the risk of damage or injury and will void warranty.

Installation Requirements

- Select a suitable location for this light fitting:
 - Ensure it is on a flat and stable surface.
 - This product is suitable for indoor use only.
 - Do not place flammable material near or over the fitting.
 - Ensure the fitting is not installed in direct line of an air vent/system.
 - If the fitting is placed in an area prone to moisture, ensure that the area is well ventilated and an appropriately rated exhaust fan is used if required. Damage or corrosion caused by moisture is not a product fault, and as such is not covered under warranty.
- Do not exceed the maximum wattage rating.
- Take care not to pull any electrical wires during unpacking as this may damage the connection.
- Lay out all the components on a smooth surface and make sure there are no components missing before assembling. If parts are missing, return the complete product to the place of purchase for inspection or replacement.
- Check whether the fitting has been damaged during transport. Do not operate/install any product which appears damaged in any way. Return the complete product to the place of purchase for inspection, repair or replacement.
- Do not plug into the mains power socket outlet before or during assembly. Only do so after the portable lamp is fully assembled with the globe installed and is ready to use for the first time.

Installation Directions

1. Remove all packaging material from the product and fabric lamp shade (C).
2. Place the product on a non-scratch surface to help with assembly.
3. Install the three legs (G) onto the body (D) of the fitting and secure using a washer (F) and screw (E).
4. Remove the lamp holder ring (B) from the lamp holder.
5. Install the fabric lamp shade (C) onto the lamp holder and secure using the lamp holder ring (B).
6. Install a globe (A - not included) into the lamp holder. Do not exceed the maximum rated wattage.
7. Select a suitable location for the light fitting. See the installation requirements above.
8. Insert the plug (I) into the mains power socket outlet and ensure it is fully plugged in.
9. Turn power on at the mains power socket outlet.
10. Use the cord line switch (H) to turn the lamp on/off.



Safety Tips

- Always ensure the power is OFF and the fitting has cooled down before performing any maintenance, cleaning, changing the globe or making any adjustment to the fitting.
- The external flexible cable or cord of this luminaire cannot be replaced; if the cable or cord is damaged, the luminaire shall be destroyed.
- To avoid injury or damage to the fitting, ensure that power leads and screws are secure before connecting the power.
- Young children should be supervised to ensure that they do not play with the portable lamp.
- Handle the fitting and/or shade with care to avoid any damage or breakage.
- Select a suitable location away from liquids and hazards.
- Ensure that the fitting does not come in contact with corrosive chemicals, etc.
- To clean, wipe with a damp clean cloth. Never soak the fitting with water.

Specifications

SKU #	281034	281035	281036
Colour	White Wash	Grey Wash	Chestnut Wash
Rated Voltage	220-240V~ 50Hz		
Rated Wattage	45W Max.		
Lamp Holder	ES / E27		
Weight	1.0kg		
Dimensions	H:640mm Dia:300mm		