

TERRENCE LED TABLE LAMP

SKU# 259975, 259976, 259977

Rated Voltage 24V DC, 0.5A

Thank you for purchasing this quality Lucci product. To ensure correct function and safety, please read and follow all instructions carefully before assembly, installation and use of the product. Please keep the instructions for future reference.

Warranty

- This product is covered by a 3 year warranty. Please retain proof of purchase.
- Warranty will be void if there is any damage due to improper usage or modification to the product.
- Failure to comply with the instructions in this manual may increase the risk of damage or injury and will void warranty.

Installation requirements

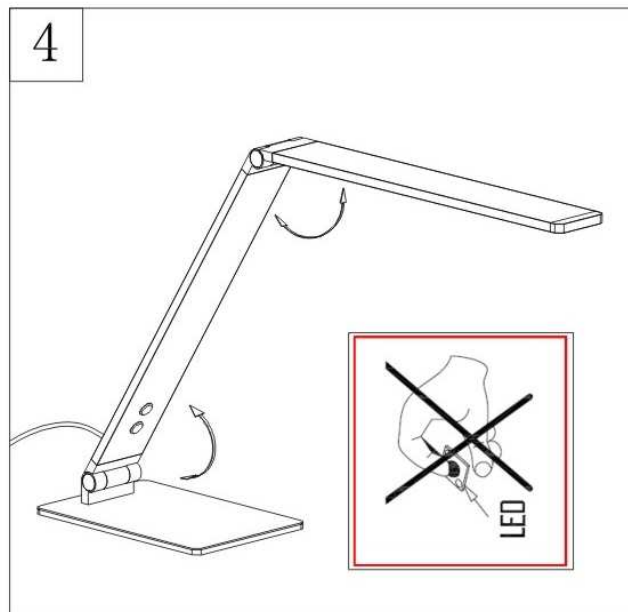
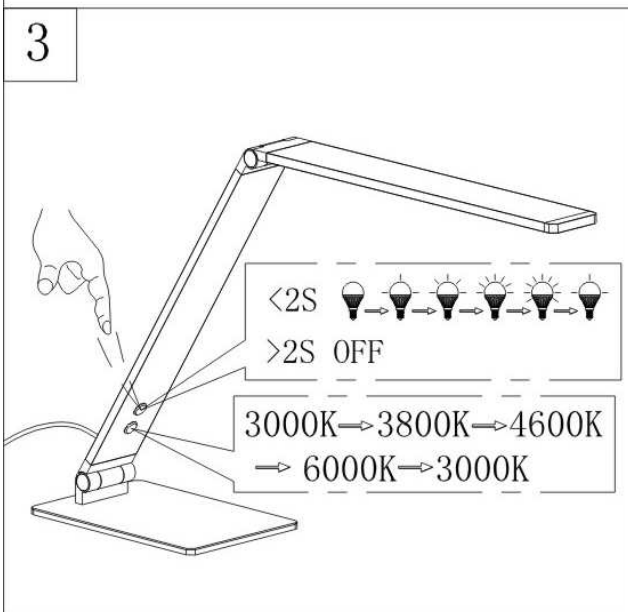
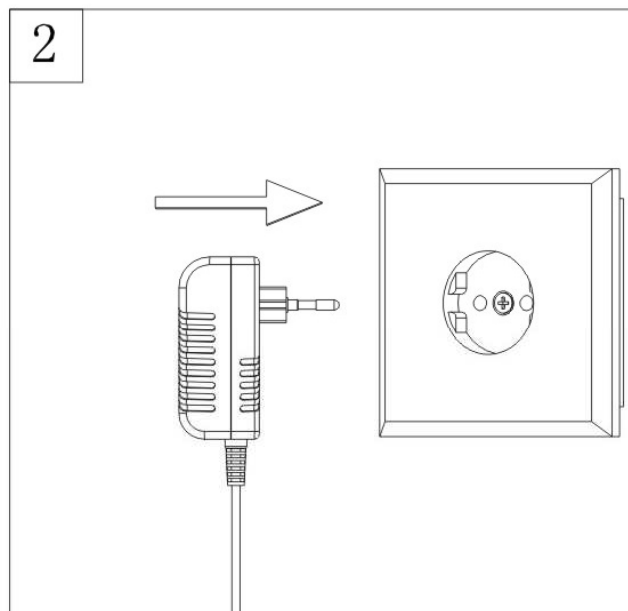
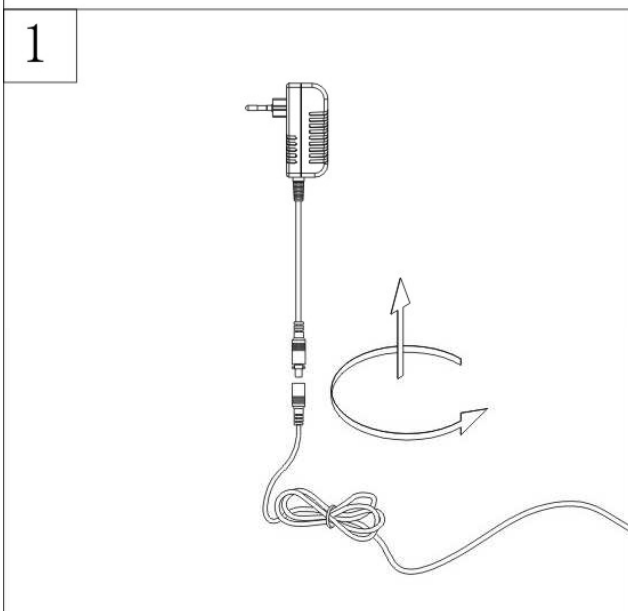
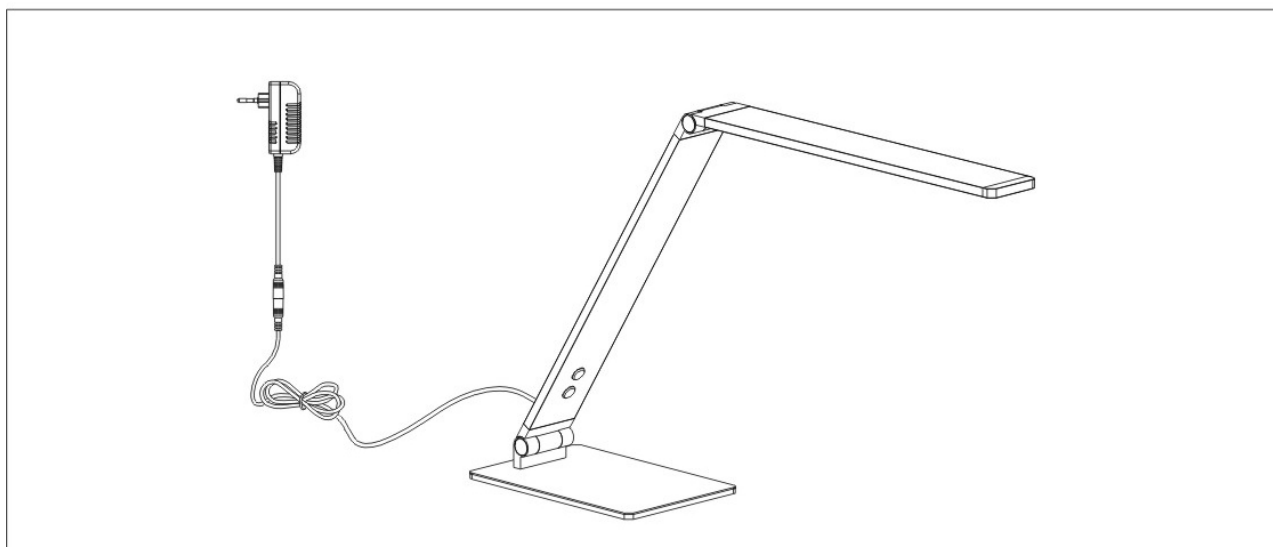
- Select a suitable location for the fitting;
 - Ensure it is on a flat and stable surface.
 - This product is suitable for indoor use only.
 - Do not place flammable material near or over the fitting.
 - Ensure the fitting is not installed next to any air vents and is not in any moist or damp areas.
- Only use the supplied plug in LED driver with this fitting.
- Take care not to pull any electrical wires during unpacking as this may damage the connection.
- Lay out all the components on a smooth surface and make sure there are no components missing before assembling.

If parts are missing, return the complete product to the place of purchase for inspection or replacement.

- Check whether the fitting has been damaged during transport. Do not operate/install any product which appears damaged in any way. Return the complete product to the place of purchase for inspection, repair or replacement.
- Do not plug into the mains power socket outlet before or during assembly. Only do so after the portable lamp is fully assembled and ready to use for the first time.

Installation directions

1. Connect the quick connector of adaptor to the light fitting.
2. Insert the adaptor into the mains socket outlet and ensure it is fully plugged in.
3. Press the upper button on the fitting (>2 seconds) to switch the light on and off;
Hold the upper button on the fitting (<2 seconds) to dim the light. This fitting has a 4-step dimming function operating in the following order:
Press the button once, and the fitting will turn ON and light up at low brightness, approximately 25%.
Press the button a second time, and the fitting will light up at medium brightness, approximately 50%.
Press the button a third time, and the fitting will light up at a high brightness, approximately 75%.
Press the button a fourth time, and the fitting will light up to the maximum brightness at 100%.
4. Press the lower button on the fitting to change the colour temperature of the light. This fitting has a 4-step stage shift function operating in the following order: 3000K – 3800K – 4600K – 6000K.
5. Adjust the lamp head to your preferred lighting angle.



Safety tips

- Always ensure the power is OFF and the fitting has cooled down before performing any maintenance, cleaning or adjustment to the fitting.
- To avoid injury or damage to the fitting, ensure that power leads and screws are secure before connecting the power.
- Young children should be supervised to ensure that they do not play with the portable lamp.
- Handle the fitting and/or shade with care to avoid any damage or breakage.
- Select a suitable location away from liquids and hazards.
- Ensure that the fitting does not come in contact with corrosive chemicals/solvents or abrasive cleaners etc.
- To clean, wipe with a damp clean cloth. Never soak the fitting with water.

Specifications

SKU #	259975	259976	259977
Model Nr.	18T8-BLK	18T8-AL	18T8-BRNZ
Colour	Black	Aluminium	Bronze
Rated Voltage	24V DC, 0.5A		
Rated Wattage	Max.10W (Including driver)		
LED Specs	Max.360 Lumens, 4-step dimming, 4-stage colour shifting		
Weight	1.2kg		
Dimensions	H:370mm W:120mm L:342mm Max.		