

DIAMOND 1LT BAY WALL BRACKET

SKU# 239430, 239431

Rated Voltage 220-240V~ 50Hz

Thank you for purchasing this quality Lucci product. To ensure correct function and safety, please read and follow all instructions carefully before assembly, installation and use of this luminaire. Please keep instructions for future reference.

Warranty

- This luminaire is covered by a 12 month warranty. The warranty is from date of purchase, not the date of installation.
- If the luminaire is not assembled and installed by a licensed electrician the warranty will be void.
- Please retain proof of purchase and evidence of installation by a licensed electrician for any warranty claims.
- Warranty will be void if there is any damage due to improper usage or modification to the luminaire.
- Failure to comply with the instructions in this manual may increase the risk of damage or injury and will void the warranty.

Installation Requirements


- Must be assembled and installed by a licensed electrician.
- All wiring and installation of the luminaire must adhere to local and national wiring rules.
eg. AS/NZS 3000:2007/Amendment 2:2012 Electrical installations.
- This luminaire is a Class I product and must be earthed.
- This luminaire is rated IP44, this must be maintained during wiring and installation.
- Do not exceed the maximum wattage rating.
- Select a suitable location for installation:
 - The mounting point must be able to support 2 times the weight of the luminaire.
 - This luminaire is protected against water penetration to IP44 standards, which is splashing water from any direction.
- Take care not to pull any electrical wires during unpacking as this may damage the connection.
- Lay out all the components on a smooth surface and make sure there are no components missing before assembling. If parts are missing, return the complete product to the place of purchase for inspection or replacement.
- Check whether the luminaire has been damaged during transport. Do not operate/install any product which appears damaged in any way. Return the complete product to the place of purchase for inspection, repair or replacement.
- Ensure power to the circuit you are working on has been switched OFF before commencing any electrical work.

Installation Directions


Remove all packaging material from the product and be careful not to throw away accessories that may be hidden within the packaging material. If assembly is required, place the luminaire on a smooth non-scratch surface.

1. Remove the mounting bracket from the back of the luminaire by loosening the 2 nuts at the front.
2. Insert the mains supply wire through the silicon grommet of the mounting bracket.
3. Use the mounting bracket as a template to mark the screw positions on the wall. Drill holes into the wall.
Install the mounting bracket on the wall by using appropriately sized mounting screws and anchors.
Ensure the screws and anchors used are suitable for the mounting surface and the surrounding environment.
4. Connect the mains supply wires to the terminal block. Ensure the wires are secure and no bare wires are exposed.

Mains Supply Wire

Earth – Yellow/Green 
Neutral – Blue or Black
Live – Brown or Red

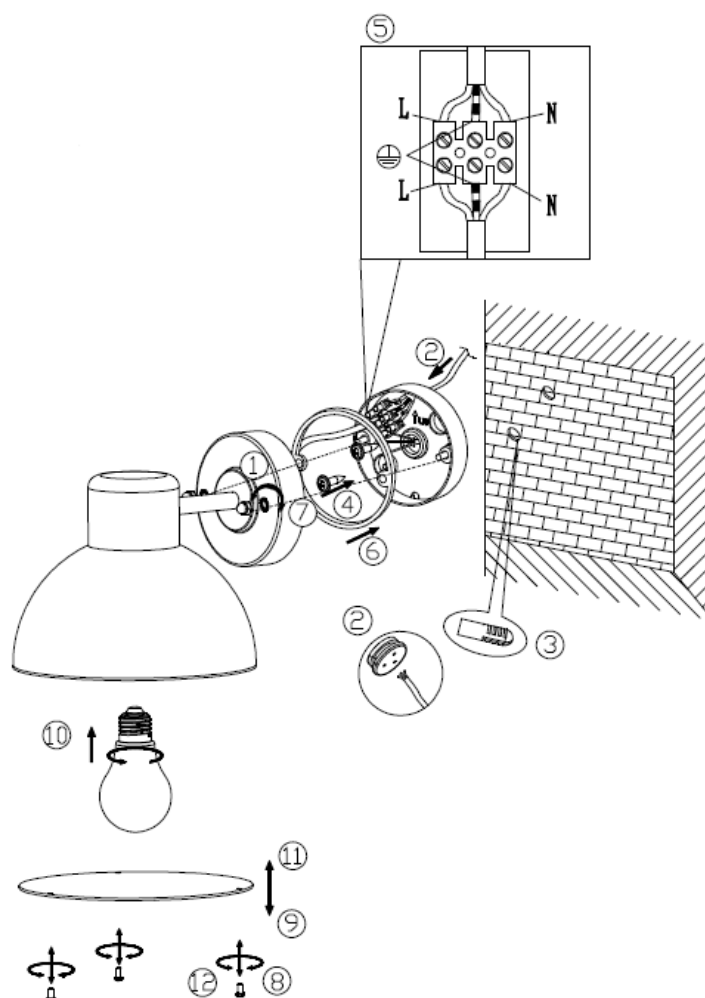
Luminaire Wires

Yellow/Green or 
Blue or N
Brown or L

5. Install the luminaire back onto the mounting bracket and secure by tightening the 2 nuts at the front.

NOTE: It is recommended that a non-corrosive bead of silicone be applied before installation onto the wall ensuring that no water can run down into the cabling.

6. Install a globe (not included) into the lamp holder. Do not exceed the maximum wattage rating.
7. Install the shade back onto the luminaire and secure by tightening the screws.
8. Make any final adjustments to the luminaire and check all parts are secured tightly before turning the power on.



Safety Tips

- Always ensure the power is OFF and the luminaire has cooled down before performing any maintenance, cleaning, changing the globe or making any adjustment to the luminaire.
- The luminaire must not be used if the shade has been cracked or damaged. Replace any cracked protective shield.
- To avoid injury or damage to the luminaire, ensure the power leads and screws are secure before connecting the power.
- To clean, wipe with a soft damp cloth. Do NOT soak or immerse the luminaire in water or other liquids.
- Ensure that the luminaire does not come in contact with corrosive chemicals/solvents or abrasive cleaners etc.

Specifications

SKU #	239430	239431
Supplier Model Nr.	203255	203256
Colour	Matte Black	Galvanised Steel
Rated Voltage	220-240V~ 50Hz	
Rated Wattage	60W	
Lamp Holder	ES / E27	
IP Rating	IP44	
Weight	1.1kg	
Dimensions	H:185mm W:200mm E:237mm	