

## LEDLUX TRAX STEP LIGHT

SKU# 239297,239298,239299,239300

Rated Voltage 220-240V~ 50Hz

Thank you for purchasing this quality Lucci product. To ensure correct function and safety, please read and follow all instructions carefully before using the product. Please keep instructions for future reference.

### Warranty

- This light fitting is covered by a 3 year warranty. Please retain proof of purchase and evidence of installation by a licensed electrician.
- Warranty will be void if there is any damage due to improper usage or modification to the fitting.
- This light fitting is not suitable for use with dimmer switches. Warranty will be void if the fitting is used on the same circuit which has a dimmer switch.
- Failure to comply with the instructions in this manual may increase the risk of damage or injury and will void warranty.

### Installation requirements

- Must be installed by a licensed electrician.
- All wiring and installation of the light fitting must adhere to local and national wiring rules. eg. AS/NZS 3000:2007/Amendment 2:2012 Electrical installations.
- This is a CLASS I fitting and must be earthed during installation.
- This fitting is rated IP65 which is protected against jets of water. This must be maintained during installation.
- This fitting is not suitable for use with dimmer switches and should not be used with a circuit which has a dimmer.
- Select a suitable location for installation;
  - This product is suitable for indoor and outdoor use.
  - The mounting point must support 2 times the weight of the fitting.
- Take care not to pull any electrical wires during unpacking as this may damage the connection.
- The external flexible cable or cord of this luminaire cannot be replaced; if the cord is damaged, the luminaire shall be destroyed.
- Lay out all the components on a smooth surface and make sure there are no components missing before assembling. If parts are missing, return the complete product to the place of purchase for inspection or replacement.
- Check whether the fitting has been damaged during transport. Do not operate/install any product which appears damaged in any way. Return the complete product to the place of purchase for inspection, repair or replacement.
- Ensure power to the circuit you are working on has been switched OFF, before commencing any electrical work.

### Installation directions

1. Remove all packaging material from the product and be careful not to throw away accessories that may be hidden within the packaging materials.
2. Remove the frame from the fitting by loosening the two allen key screws (figure 1).
3. Take out the plastic mould from the back of the fitting by loosening the two screws (figure 2).
4. The cut out size for the plastic mounting bracket is as following specification. Cut the hole and secure the plastic mounting bracket into the installation area (figure 3).
5. Connect the earth and mains supply wire to the fitting using a waterproof terminal block/junction box (not included) (figure 3).

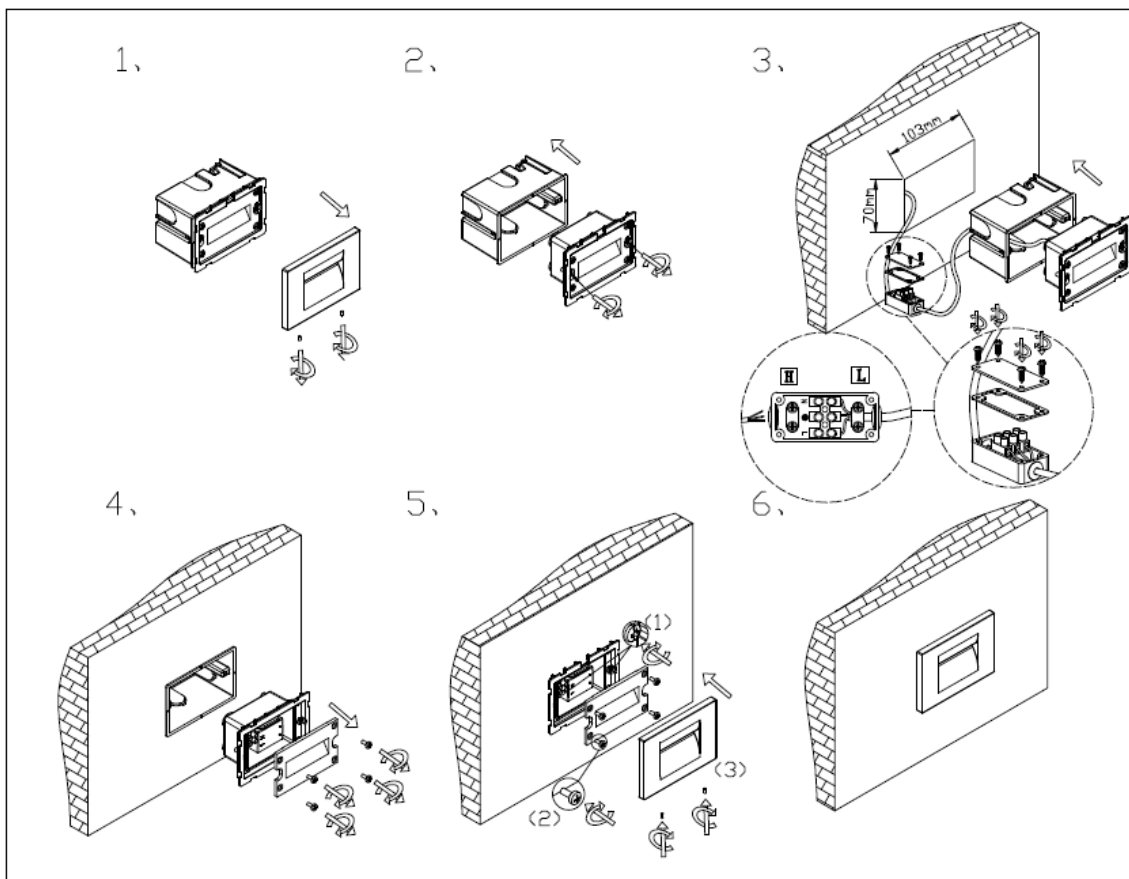
#### Mains Supply Wire

Earth – Yellow/Green  
Neutral – Blue or Black  
Live – Brown or Red

#### Fitting Wire

Yellow/Green  
Blue  
Brown

6. Ensure the wires are secure and no bare wires are exposed.
7. Install the fitting on the plastic mould using the two screws provided (figure 4).
8. Secure the metal frame back on the fitting using the two allen key screws (figure 5).
9. Turn the power back on to the circuit you are working on.



## Safety tips

- Always ensure the power is OFF and the fitting has cooled down before performing any maintenance, cleaning or adjustment to the fitting.
- To avoid injury or damage to the fitting, ensure that power leads and screws are secure before connecting the power.
- Ensure that the fitting does not come in contact with corrosive chemicals, etc.
- To clean, wipe with a damp clean cloth. Never soak the fitting with water.

## Specifications

SKU #	239297	239298	239299	239300
Model #	H1121-WH	H1121-CHA	H1122-WH	H1122-CHA
Rated Voltage	220-240V~ 50Hz			
Rated Wattage	5W		5W	
LED	4000K, 100 lumens		4000K, 120 lumens	
IP Rating	IP65		IP65	
Weight	0.3kg		0.3kg	
Cut Out Size	W:103mm x H:70mm		W:70mm x H:103mm	
Dimensions	W:107mm H:75mm E:65mm		W:75mm H:107mm E:65mm	