

## ORSAY UP/DOWN WALL BRACKET

SKU# 231000, 231001

Rated Voltage 220-240V~ 50Hz

Thank you for purchasing this quality Lucci product. To ensure correct function and safety, please read and follow all instructions carefully before assembly, installation and use of this product. Please keep instructions for future reference.

### Warranty

- This light fitting is covered by a 3 year warranty. The warranty is from date of purchase, not the date of installation.
- If the fitting is not assembled and installed by a licensed electrician the warranty will be void.
- Please retain proof of purchase and evidence of assembly and installation by a licensed electrician. .
- Warranty will be void if there is any damage due to improper usage or modification to the fitting.
- Failure to comply with the instructions in this manual may increase the risk of damage or injury and will void warranty.
- The use of non-tested dimmers may damage your LED light fitting and will void your warranty.

### Installation Requirements

- This fitting must be assembled and installed by a licensed electrician.
- All wiring and installation of the light fitting must adhere to local and national wiring rules.  
eg. AS/NZS 3000:2007/Amendment 2:2012 Electrical installations.
- This is a Class I fitting and must be earthed.
- This fitting is rated IP55. This must be maintained during installation.
- Select a suitable location for installation;
  - This product is suitable for either indoor or outdoor use.
  - The mounting point must support 2 times the weight of the fitting.
  - This fitting is protected against water penetration to IP55 standards, which is jets of water from any direction.
- The fitting must not be used if the protective shield/shade has been damaged or cracked. The protective shield/shade must be replaced before using the fitting again.
- This fitting is dimmable and has been tested at the date of publication with the dimmers listed in the specification section. The use of a LED dimmer such as the Lucci LEDlux SKU# 290997/290998 dimmer is highly recommended.
- **NOTE:** For the best dimming range, use with the Lucci LEDlux SKU# 290997/290998 dimmer and adjust the variable resistor at minimum and maximum dimming positions on the dimmer during the installation.
- **NOTE:** Dimming may cause buzzing sounds or a slight flicker. There may be slight delays with the LED light start up or slight uneven light performance when more than one LED light fitting is linked together, switched ON or dimmed. This is not a product fault and as such is not covered under warranty.
- **NOTE:** Some dimmers have a minimum load of 20W. Ensure the dimmer position is on the maximum setting before turning on the LED light and adjust the dimmer down to your desired light level.
- **NOTE:** Testing cannot account for installation variables such as variation in mains supply voltage, cable capacitance, electrical noise, transients, surges and ripple control signals (commonly found in NSW & QLD).
- Take care not to pull any electrical wires during unpacking as this may damage the connection.
- Lay out all the components on a smooth surface and make sure there are no components missing before assembling. parts are missing, return the complete product to the place of purchase for inspection or replacement.
- Check whether the fitting has been damaged during transport. Do not operate/install any product which appears damaged in any way. Return the complete product to the place of purchase for inspection, repair or replacement.
- Ensure power to the circuit you are working on has been switched OFF before commencing any electrical work.

## Installation Directions

1. Remove all packaging material from the product and be careful not to throw away accessories that may be hidden within the packaging material. If assembly is required, lay the fitting on a smooth non-scratch surface.
2. Remove the back plate (F) by loosening the four nuts (C) on the top & bottom with the allen key (B) provided.
3. Use the back plate (F) as a template to mark the screw positions on the wall.
4. Install the back plate (F) onto the wall by using appropriately sized mounting screws (D) and anchors (G). Ensure the screws (D) and anchors (G) used are suitable for the mounting surface and the surrounding environment.
5. Remove the screws and hard plastic cover from the top cord entry hole.
6. Insert the mains supply wire through the plastic grommet at the top cord entry hole. The plastic grommet already has a small hole. Check to ensure the bottom cord entry hole has the plastic grommet with no hole (E).

**NOTE: It is recommended that a non-corrosive bead of silicone be applied before installation to ensure no water can run down the cable and into the fitting.**

7. Connect the mains supply wire to the terminal block (A). Ensure the wires are secure and no bare wires are exposed.

### Mains Supply Wire

Earth – Yellow/Green

Neutral – Blue or Black

Live – Brown or Red

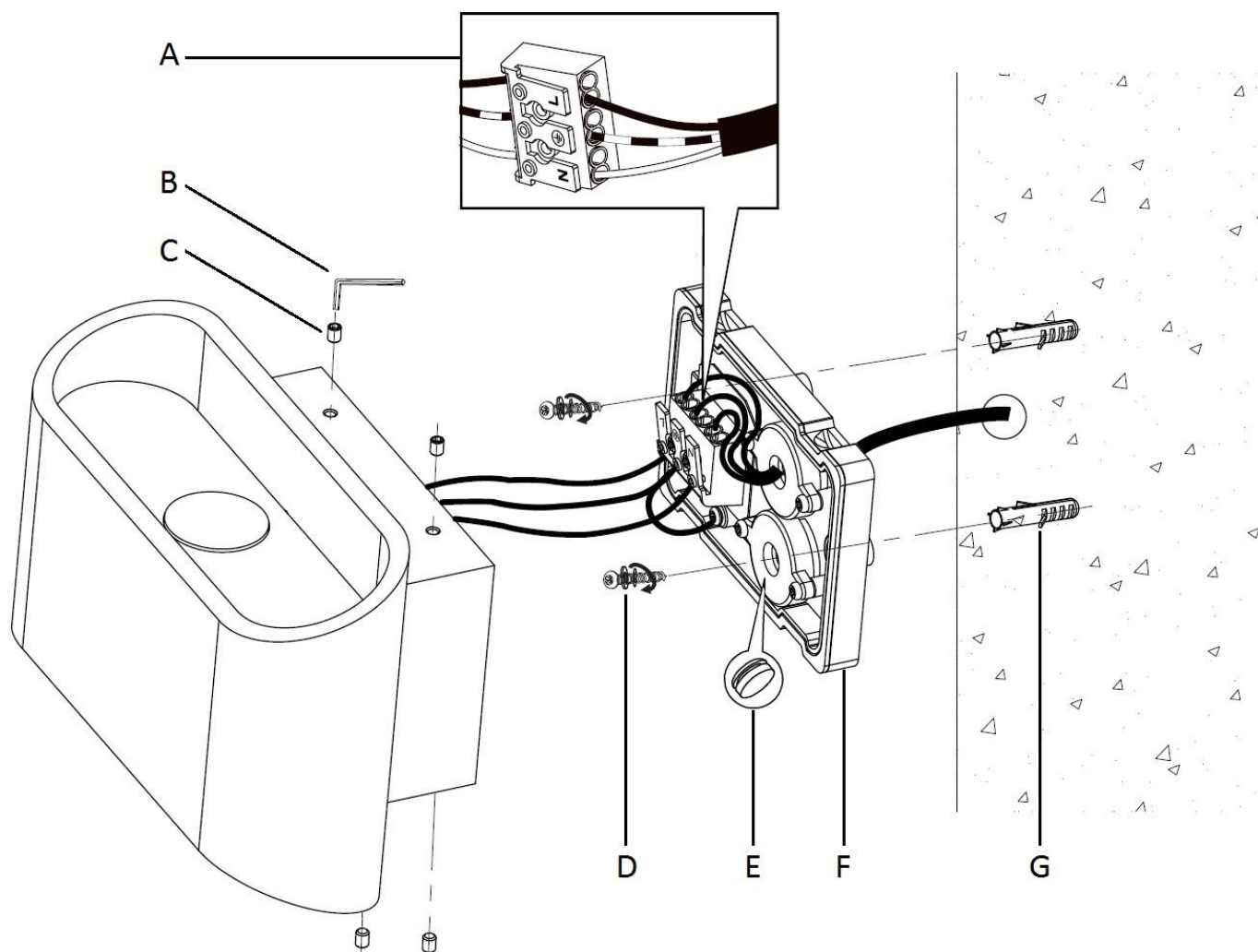
### Fitting Wire

Yellow/Green or

Blue or N

Brown or L

8. Install the fitting onto the back plate (F) and secure by tightening the four nuts (C) on the top & bottom.
9. After the installation, switch on the fitting to test and enjoy your new lighting product.



## LOOPING

This fitting has a terminal block which can be used for looping a 2<sup>nd</sup> set of live, neutral and earth wires.

**WARNING:** ALL WIRING CONNECTION AND DISCONNECTION MUST BE PERFORMED BY A LICENSED ELECTRICIAN.

1. Remove the screws (H) and hard plastic cover (I) from the bottom cord entry hole.
2. Remove the existing grommet (J) from the bottom cord entry hole and replace with the spare grommet set (K) supplied with the other accessories.

3. Insert the 2<sup>nd</sup> set of wires through the newly replaced grommet set (K) in the bottom cord entry hole.

**NOTE:** It is recommended that a non-corrosive bead of silicone be applied before installation to ensure no water can run down the cable and into the fitting.

4. Connect the 2<sup>nd</sup> set of wires to the spare ports on the terminal block (K).

Ensure the wires are secure and no bare wires are exposed.


### Mains Supply Wire

Earth – Yellow/Green 

Neutral – Blue or Black

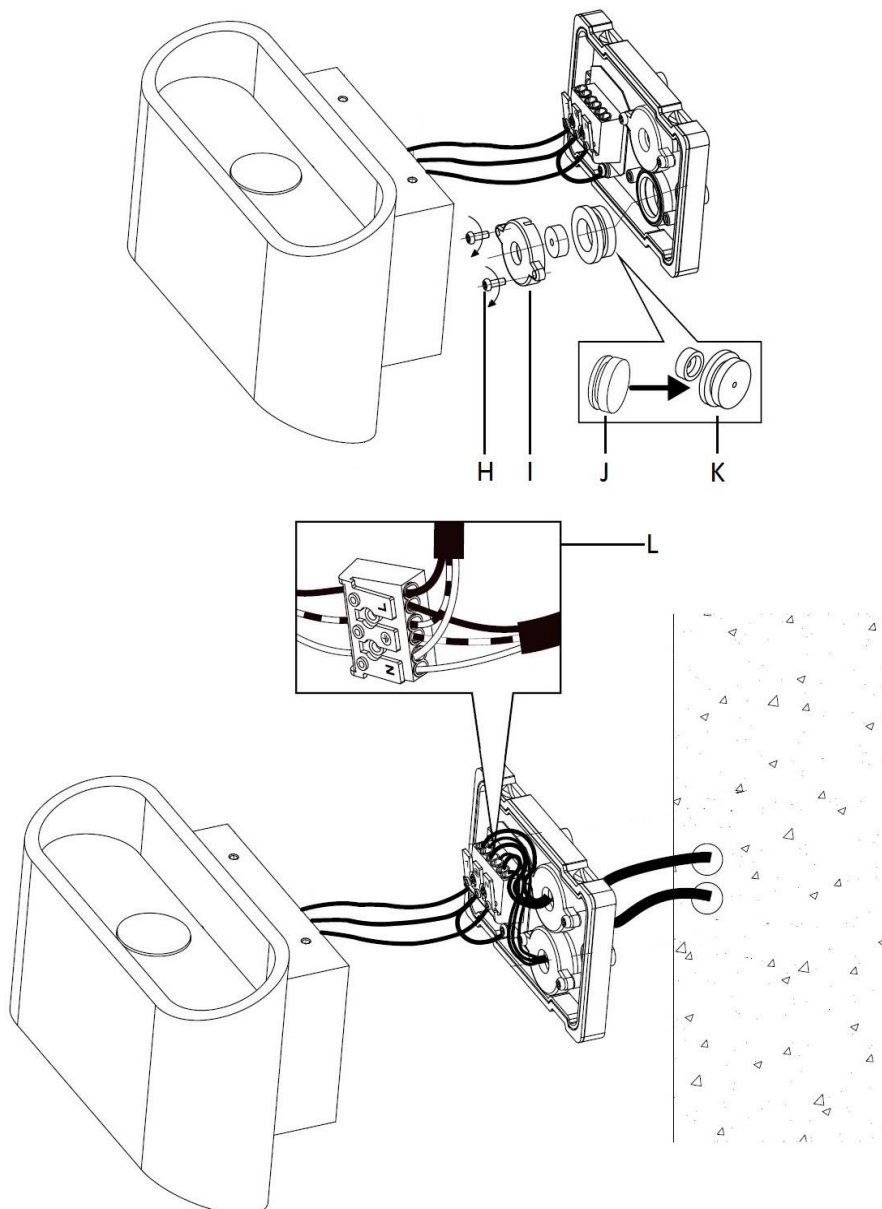
Live – Brown or Red

### Fitting Wire

Yellow/Green or 

Blue or N

Brown or L



Troubleshooting		
PROBLEM	POSSIBLE CAUSE	SUGGESTED SOLUTION
Does not work. (New installation)	Wiring loose or no power to the fitting.	Check your circuit breaker/safety switch box turn on power to your circuit.
Does not work. (Existing installation)	No power to the fitting.	Check your circuit breaker/safety switch box and turn on power to your circuit.
		Contact your nearest Beacon Lighting store.
Flickers when dimming. (New installation)	Non-tested dimmer used.	Check the dimmer used. Ensure the dimmer used is on the list of tested dimmers in this manual.
	Some dimmers have a variable loading adjustment function. eg. Lucci LEDlux SKU# 290997/290998 dimmer. This may not have been adjusted during the installation of the dimmer.	The variable resistor needs to be adjusted to suit the fitting load to reduce the flickering.
Flickers when dimming. (Existing installation)	Dimmer position on low.	Ensure the dimmer position is on the maximum setting before turning on the fitting and adjust the dimmer down to your desired light level.
Buzzing sound.	Non-tested dimmer used.	Check the dimmer used. Ensure the dimmer used is on the list of tested dimmers in this manual.
Uneven light start up.	Dimmer position on low when switched on.	Ensure the dimmer position is on the maximum setting before turning on the fitting and adjust the dimmer down to your desired light level.

## Safety Tips

- Always ensure the power is OFF and the fitting has cooled down before performing any maintenance, cleaning or making any adjustment to the fitting.
- To avoid injury or damage to the fitting, ensure that power leads and screws are secure before connecting the power.
- The LEDs are not replaceable and there are no serviceable parts, do not attempt to dismantle or open the product.
- To clean, wipe with a soft damp cloth. Do NOT soak or immerse the product in water or other liquids.
- Ensure that the fitting does not come in contact with corrosive chemicals/solvents or abrasive cleaners etc.

Specifications		
SKU #	231000	231001
Colour	Silver	White
Rated Voltage	220-240V~ 50Hz	
Rated Wattage	12.5W (including LED driver)	
LED Specs	600 Lumens, 3000K, Dimmable	
Dimmer Information	Highly Recommended Dimmers: Lucci LEDlux SKU# 290997 Lucci LEDlux SKU# 290998	
	Tested Dimmers: Clipsal 31E2RUDM, 31E2PUDM, 32E450UDM, 32E450TM and 32ELEDM HPM Cat. 400T	
IP Rating	IP55	
Weight	1.5kg	
Dimensions	L:180mm H:128mm E:95mm	