

## Installation Instructions

SKU#230870, #230871, #230873, #230874, #230875, #230876, #230877. #230878  
(LD-P2011-BK,LD-P2011-WH, LD-P2011-SL, LD-P2014-BK, LD-P2014-WH, LD-P2014-SL,  
LD-P2012-BK, LD-2012-WH, LD-P2012-SL)  
Rated Voltage 230-240V, 50Hz

**PLEASE READ AND SAVE ALL INSTRUCTIONS CAREFULLY BEFORE USING THE PRODUCT**

**WARNING** - to reduce the risk of fire, electrical shock or injury to persons or property, please follow the guideline below for safe use and installation.

### **INSTALLATION REQUIREMENTS:**

- **Must be installed by a Licensed Electrician.**
- **Must be installed according to the current wiring rules AS/NZS3000.**
- **Do not exceed the maximum wattage rating, as this may cause overheating.**
- **Suitability for use “outdoors” IP54.**
- **Insulation class: CLASS II**

### **INSTALLATION DIRECTION:**

- Check whether the fitting has been damaged during transport. Do not operate/install any product which appears damaged in any way. Return the complete product to the place of purchase for inspection, repair or replacement.
- Ensure all power connection is off for your own safety.
- Level all the components on a smooth surface and make sure there is no component missing before assembly.

1. Remove the lamp shade and guard from the mounting plate
2. Drill the holes on the wall and hammer the anchors in the wall
3. Pass the supply cable through the rubber ring on back of fitting
4. Then secure the mounting plate onto the wall via suitable screws.
5. Connect the mains supply wire to the light fitting. Ensure that the wires are secure and no strains of bare wires are exposed. (Please refer to the current Australian wiring rules AS/NZS 3000).

#### **Mains Supply Wire**

Neutral – Blue or Black

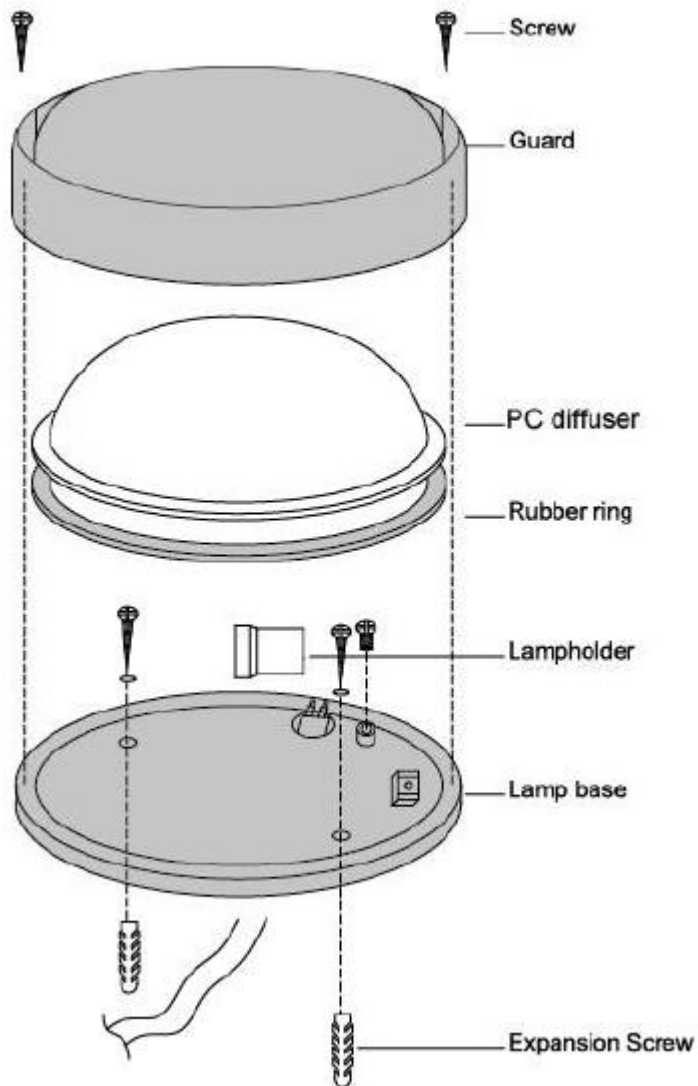
Live – Brown or Red

#### **Fitting Wire – Direct to the lampholder terminal**

Blue – Side contact terminal of E27 socket

Brown – middle contact terminal of E27 Socket

6. Install the bulb (not included). Ensure all seals are in correct position to maintain IP54 rating. Note: Do not exceed recommended bulb wattage.
7. Secure the lamp shade and guard via tightening the cover screws.



---

### **TIPS**

1. To avoid injury or damage to the fitting, ensure that power leads and screws are secure before connecting the power.
2. Handle the fitting and cover/shade with care to avoid breakage.
3. When changing or cleaning bulbs, turn OFF power and allow to cool. Do not touch bulbs with bare hands, use gloves or a tissue.
4. Find a suitable location away from liquids and hazards.
5. Ensure that the fitting does not come in contact with corrosive chemicals, etc.
6. To clean, wipe with a damp clean cloth. Never soak the fitting with water.

**SPECIFICATIONS:**

| <b>SKU #</b> | <b>Model #</b> | <b>Rated voltage</b> | <b>Lamp holder</b> | <b>Rated wattage</b> | <b>IP Rating</b> |
|--------------|----------------|----------------------|--------------------|----------------------|------------------|
| LD-P2011-BK  | #230870        | 230-240V~50Hz        | E27                | Max. 15W CFL         | IP54             |
| LD-P2011-WH  | #230871        | 230-240V~50Hz        | E27                | Max. 15W CFL         | IP54             |
| LD-P2011-SL  | #230872        | 230-240V~50Hz        | E27                | Max. 15W CFL         | IP54             |
| LD-P2014-BK  | #230873        | 230-240V~50Hz        | E27                | Max. 15W CFL         | IP54             |
| LD-P2014-WH  | #230874        | 230-240V~50Hz        | E27                | Max. 15W CFL         | IP54             |
| LD-P2014-SL  | #230875        | 230-240V~50Hz        | E27                | Max. 15W CFL         | IP54             |
| LD-P2012-BK  | #230876        | 230-240V~50Hz        | E27                | Max. 15W CFL         | IP54             |
| LD-P2012-WH  | #230877        | 230-240V~50Hz        | E27                | Max. 15W CFL         | IP54             |
| LD-P2012-SL  | #230878        | 230-240V~50Hz        | E27                | Max. 15W CFL         | IP54             |