

MARINE LED 12V STEP LIGHT

SKU# 221051, 221054, 221057, 221059
Rated Voltage 12V

NOTE:

This fitting is 12V extra-low voltage and can be DIY.

This installation instruction applies to the 12V side of the fitting only.

When working with 240V, a licensed electrician is required.

Lucci wiring kit (SKU# 220826, 220827) and Lucci transformer (SKU# 220818, 220819, 220829) sold separately.

Thank you for purchasing this quality Lucci product. To ensure correct function and safety, please read and follow all instructions carefully before using the product. Please keep instructions for future reference.

Warranty

- This light fitting is covered by a 3 year warranty. The warranty is from date of purchase, not the date of installation. Please retain proof of purchase.
- Warranty will be void if there is any damage due to improper usage or modification to the fitting.
- Failure to comply with the instructions in this manual may increase the risk of damage or injury and will void warranty.

Installation requirements

- All wiring and installation of the light fitting must adhere to local and national wiring rules. eg. AS/NZS 3000:2007/Amendment 2:2012 Electrical installations.
- Do not exceed the maximum wattage rating.
- This fitting is rated IP65. This must be maintained during installation.
- Replace any cracked protective lamp shade to maintain IP rating when using this fitting.
- Select a suitable location for installation:
 - This fitting is rated IP65 which is protected against jets of water.
 - The wiring kit is not suitable for underground installation without protection from water or damp conditions. It is not designed to be immersed in water.
- DO NOT cover the LED fitting with thermal insulation material.
- Take care not to pull any electrical wires during unpacking as this may damage the connection.
- Lay out all the components on a smooth surface and make sure there are no components missing before assembling. If parts are missing, return the complete product to the place of purchase for inspection or replacement.
- Check whether the fitting has been damaged during transport. Do not operate/install any product which appears damaged in any way. Return the complete product to the place of purchase for inspection, repair or replacement.
- Ensure power to the circuit you are working on has been switched OFF, before commencing any electrical work.

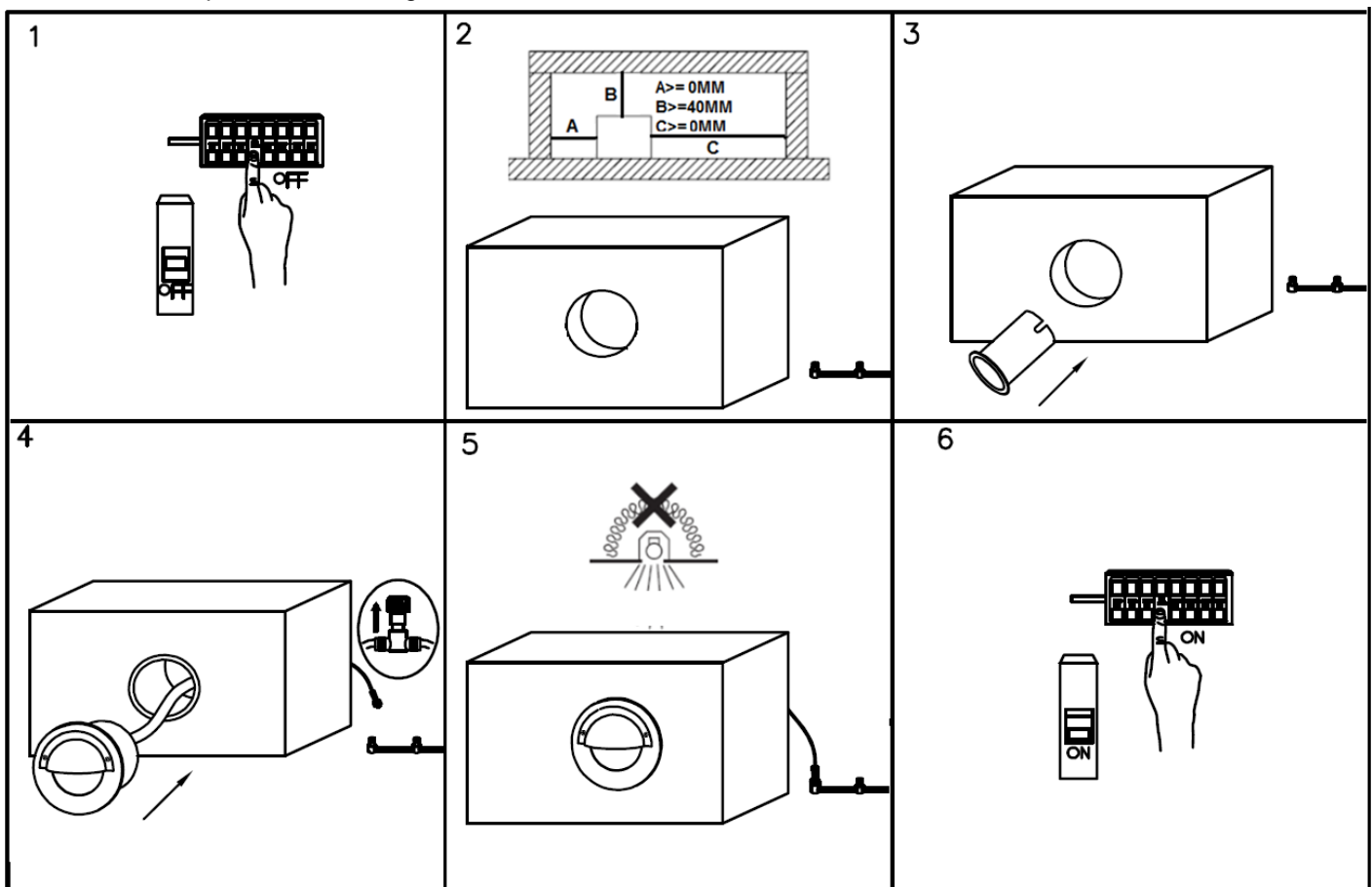
Installation directions

Remove all packaging material from the product and be careful not to throw away accessories that may be hidden within the packaging material.

Installation Instructions

Using the LED fitting with moulded box

1. Turn OFF the power to the Lucci transformer (sold separately). Fig.1
2. Take out the moulded box from the fitting. Fig.2
3. Cut the hole in the wall. Refer to the specification section for cut-out size for using moulded box. Ensure all the clearance values are maintained for the LED fitting. Fig.2
4. Secure the moulded box into the wall. Fig. 3
5. Remove the cover from the connector on the Lucci wiring kit (SKU# 220826, 220827 – sold separately). Connect the fitting to the wiring kit. **NOTE: The wiring kit is rated for Max. 80VA load only.** Fig. 4
6. Connect the Lucci wiring kit (SKU# 220826, 220827 – sold separately) to the Lucci transformer (SKU# 220818, 220819, 220829 – sold separately). **NOTE: Do not exceed the load of the Lucci wiring kit and Lucci transformer.**
7. Ensure that the wires are secure and no bare wires are exposed. Ensure all wiring and the transformer used are appropriately rated and suitable for the location. If unsure please contact a licensed electrician.
8. Press the LED fitting into the moulded box. Fig.5
9. Turn ON the power to the fitting.

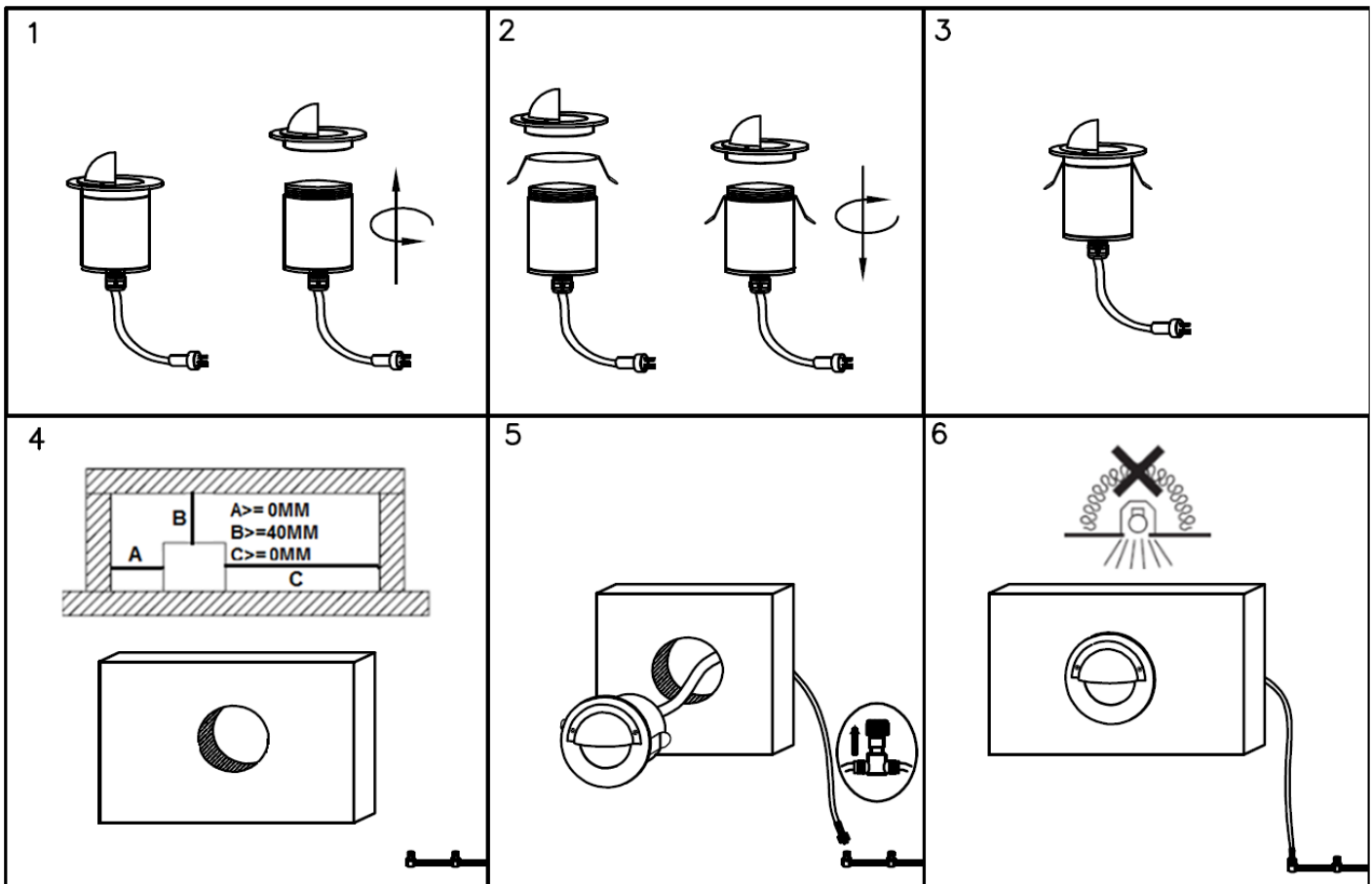


Using the LED fitting with springs

1. Turn OFF the power to the Lucci transformer (sold separately).
2. Take out the moulded box from the fitting.
3. Remove the lamp cover from lamp body by turning it anti-clockwise. Fig. 1
4. Insert the spring kit onto the lamp body and reinstall the lamp cover. Fig.2

Installation Instructions

5. Cut the hole in the wall. Refer to the specification section for cut-out size for using springs. Ensure all the clearance values are maintained for the LED fitting. Fig. 4
6. Remove the cover from the connector on the Lucci wiring kit (SKU# 220826, 220827 – sold separately). Connect the fitting to the wiring kit. **NOTE: The wiring kit is rated for Max. 80VA load only.** Fig. 5
7. Connect the Lucci wiring kit (SKU# 220826, 220827 – sold separately) to the Lucci transformer (SKU# 220818, 220819, 220829 – sold separately). **NOTE: Do not exceed the load of the Lucci wiring kit and Lucci transformer.**
8. Ensure that the wires are secure and no bare wires are exposed. Ensure all wiring and the transformer used are appropriately rated and suitable for the location. If unsure please contact a licensed electrician.
9. Press the spring and install into the wall. Fig.6
10. Turn ON the power to the fitting.



Safety tips

- Always ensure the power is OFF and the fitting has cooled down before performing any maintenance, cleaning, changing the globe or adjustment to the fitting.
- To avoid injury or damage to the fitting, ensure that power leads and screws are secure before connecting the power.
- Select a suitable location away from hazards.
- Ensure that the fitting does not come in contact with corrosive chemicals, etc.
- To clean, wipe with a damp clean cloth. Never soak the fitting with water.

Specifications

SKU #	221051	221054	221057	221059
Color	Copper	Black	316 Stainless Steel	Aluminium
Rated Voltage	12V			
Rated Wattage	8W			
LED	YANGTZE LEDS, 3200K, 300lm			
IP Rating	IP65			
Weight	0.5kg			
Cut Out Size	When using springs : Dia: 72mm When using moulded box: Dia:84mm			
Dimensions	Dia:88mm Ext: 155mm			