

Norwest Cage Swing Pendant

SKU# 220981, 220982

Rated Voltage 220-240V~ 50Hz

Thank you for purchasing this quality Lucci product. To ensure correct function and safety, please read and follow all instructions carefully before assembly, installation and use of this luminaire. Please keep instructions for future reference.

Warranty

- This luminaire is covered by a 5 year warranty. The warranty is from date of purchase, not the date of installation.
- If the luminaire is not assembled and installed by a licensed electrician the warranty will be void.
- Please retain proof of purchase and evidence of installation by a licensed electrician for any warranty enquiries.
- Warranty will be void if there is any damage due to improper usage or modification to the luminaire.
- Failure to comply with the instructions in this manual may increase the risk of damage or injury and will void warranty.

Installation Requirements

- Must be assembled and installed by a licensed electrician.
- All wiring and installation of the luminaire must adhere to the latest local and national wiring rules. eg. AS/NZS 3000 Electrical installations.
- This luminaire is a Class I product and must be earthed.
- This luminaire is rated IP44, this must be maintained during wiring and installation.
- Do not exceed the maximum wattage rating.
- Select a suitable location for installation;
 - The mounting point must be able to support 2 times the weight of the luminaire.
 - The luminaire must be installed undercover, in a location where water cannot enter the canopy.
 - This luminaire is protected against water penetration to IP44 standards, which is water splashing from any direction.
 - Depending on the mounting distance between the two canopies, ensure to follow the required minimum clearance to any walls or building elements in Table 1 of this manual.
- The luminaire must not be used if the glass shade has been damaged or cracked.
- Take care not to pull any electrical wires during unpacking as this may damage the connection.
- Lay out all the components on a smooth surface and make sure there are no components missing before assembling. If parts are missing, return the complete product to the place of purchase for inspection or replacement.
- Check whether the luminaire has been damaged during transport. Do not operate/install any product which appears damaged in any way. Return the complete product to the place of purchase for inspection, repair or replacement.
- Ensure power to the circuit you are working on has been switched OFF before commencing any electrical work.


Installation Directions

Remove all packaging material from the product and be careful not to throw away accessories that may be hidden within the packaging material.

1. Use the mounting bracket as a template to mark the screw positions on the ceiling and drill any holes required. (Figure 1)
2. Install the mounting bracket onto the ceiling by using appropriately sized mounting screws and anchors. Ensure the screws and anchors used are suitable for the mounting surface and the surrounding environment. (Figure 2)

3. Connect the mains supply wire to the terminal block in one of the canopies. Ensure the wires are secure and no bare wires are exposed. (Figure 3)

Mains Supply Wire

Earth – Yellow/Green 

Neutral – Blue or Black

Live – Brown or Red

Luminaire Wire

Yellow/Green or 

Blue or N

Brown or L

NOTE: Only one of the terminal blocks is required to be connected to the mains supply. The terminal block in the other canopy will only be used when through wiring is required. Keep the rubber seal on the cable entry of the terminal box intact if not used.

WARNING: If one canopy is connected to the supply mains, the terminal block in the other canopy will be live. Make sure the power is switched off before you commence any through wiring installation. (Refer to step 7)

4. Install the luminaire onto the mounting bracket and tighten the 2 nuts. (Figure 4)

NOTE: It is recommended that a non-corrosive bead of silicone be applied before installation to ensure no water can run down into the cabling.

5. Install a globe (not included) into the lamp holder. Do not exceed the maximum wattage rating. (Figure 5)

Install the glass shade onto the luminaire. Take care not to cross thread.

6. Install the grill guard onto the luminaire. Take care not to cross thread. (Figure 6)

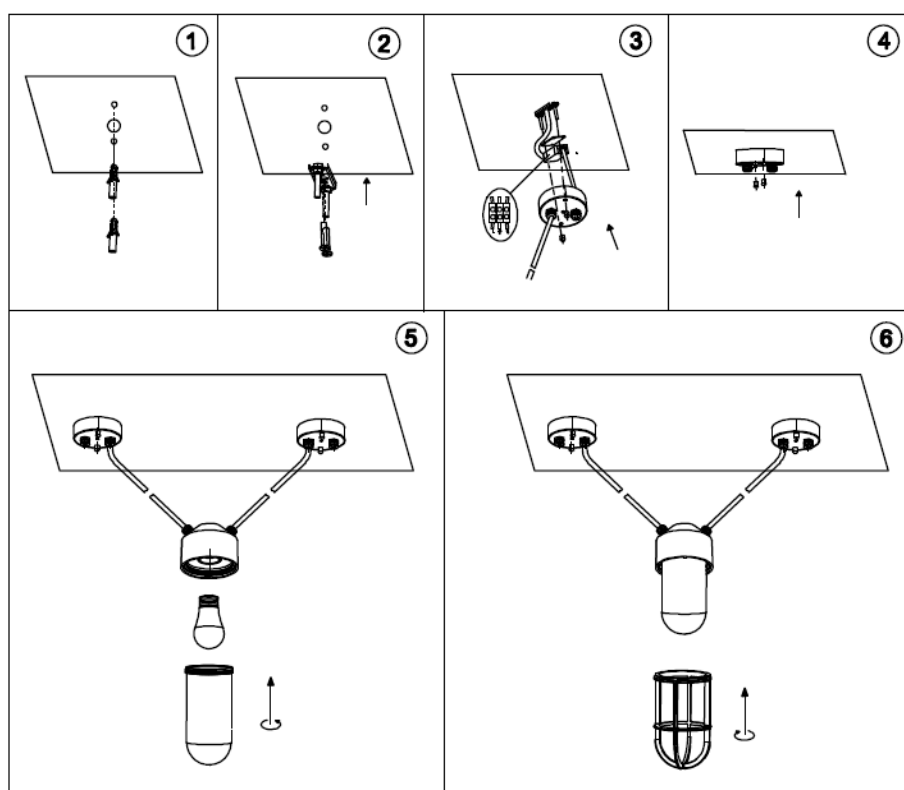
7. The luminaire is suitable for through wiring installation (Figure 7 & Circuit diagram).

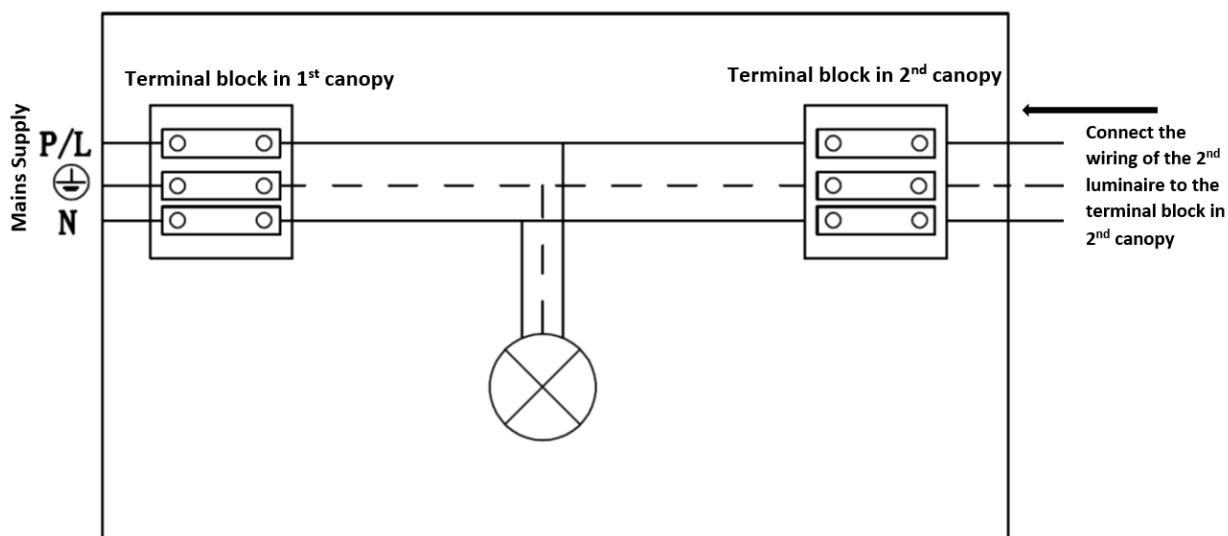
Disconnect the wiring from the terminal block of the second luminaire and push the wiring through the spare cable entry of the first luminaire. Connect the wiring to the terminal block as per step 3 and install the second luminaire as per step 4 – 6. Repeat these steps for any further luminaires required for installation.

NOTE: Do not exceed the maximum rated current (5A) for though wiring installation.

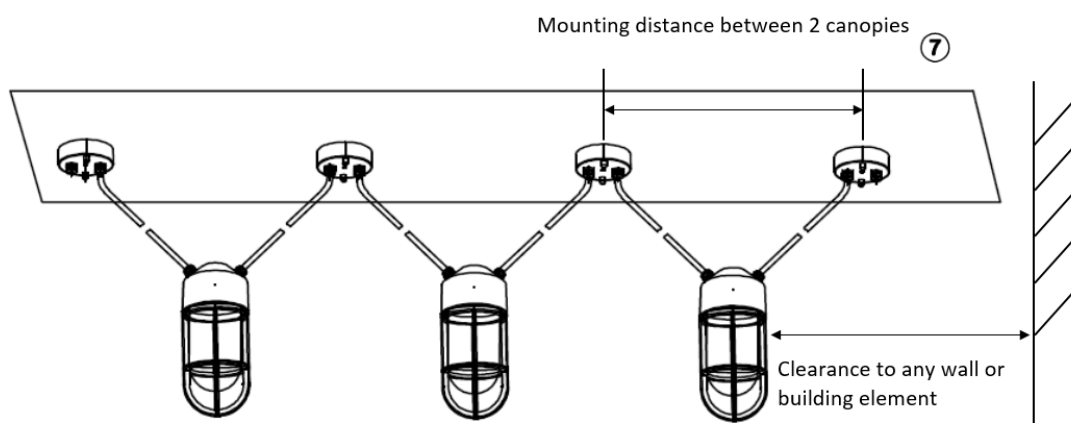
NOTE: Make sure the earth terminal on the terminal blocks of each canopy is tightened and secured after wiring. Earthing continuity must be maintained for all luminaires.

8. Make any final adjustments to the luminaire and check that all parts are done up tightly before turning on.





Circuit Diagram



NOTE: A minimum clearance (Refer to the following table 1) must be kept between the fitting and any walls or building elements if the luminaire is installed in a semi-outdoor or outdoor environment.

TABLE 1	
Mounting distance between 2 canopies (Metre)	Required, minimum clearance to any walls or building elements (Metre)
0 M	1 M
0.5 M	0.97 M
1 M	0.86 M
1.5 M	0.66 M

Safety Tips

- Always ensure the power is OFF and the luminaire has cooled down before performing any maintenance, cleaning, changing the globe or making any adjustment to the luminaire.
- To avoid injury or damage to the luminaire, ensure that power leads and screws are secure before connecting the power.
- Select a suitable location according to the installation requirements.
- Ensure that the luminaire does not come in contact with corrosive chemicals etc.
- To clean, wipe with a damp clean cloth. Do NOT soak or immerse the product in water or other liquids.
- If the external flexible cable or cord of this luminaire is damaged, it shall be exclusively replaced by the manufacturer or his service agent or a similar qualified person in order to avoid a hazard.

Specifications

SKU #	220981	220982
Colour	Solid Brass	Aged Nickel
Rated Voltage	220-240V~ 50Hz	
Rated Wattage	28W MAX	
Rated Current	5A MAX for through wiring installation	
Lamp Holder	ES / E27	
IP Rating	IP44	
Weight	1.5kg	
Dimensions	H:250mm Dia:100mm Susp:1000mm	