

Norwest

SKU# 220972, 220973, 220974

Rated Voltage 220-240V~ 50Hz

Thank you for purchasing this quality Lucci product. To ensure correct function and safety, please read and follow all instructions carefully before assembly, installation and use of this product. Please keep instructions for future reference.

Warranty

- This light fitting is covered by a 5 year warranty. The warranty is from date of purchase, not the date of installation.
- If the fitting is not installed by a licensed electrician the warranty will be void.
- Please retain proof of purchase and evidence of installation by a licensed electrician.
- Warranty will be void if there is any damage due to improper usage or modification to the fitting.
- Failure to comply with the instructions in this manual may increase the risk of damage or injury and will void warranty.

Installation requirements

- Must be installed by a licensed electrician.
- All wiring and installation of the light fitting must adhere to local and national wiring rules. eg. AS/NZS 3000:2007/Amendment 2:2012 Electrical installations.
- This fitting is a Class I product and must be earthed.
- This fitting is rated IP44, this must be maintained during wiring and installation.
- Do not exceed the maximum wattage rating. Energy saving globe recommended LED or CFL.
- Select a suitable location for installation;
 - The mounting point must be able to support 2 times the weight of the fitting.
 - This fitting is protected against water penetration to IP44 standards, which is water splashing from any direction.
- The fitting must not be used if the glass shade has been damaged or cracked.
- Take care not to pull any electrical wires during unpacking as this may damage the connection.
- Lay out all the components on a smooth surface and make sure there are no components missing before assembling. If parts are missing, return the complete product to the place of purchase for inspection or replacement.
- Check whether the fitting has been damaged during transport. Do not operate/install any product which appears damaged in any way. Return the complete product to the place of purchase for inspection, repair or replacement.
- Ensure power to the circuit you are working on has been switched OFF before commencing any electrical work.

Installation directions

1. Remove all packaging material from the product and be careful not to throw away accessories that maybe hidden within the packaging material.
2. Take note of the directional label on the fitting and use the external holes on the fitting as a template to mark the screw positions onto the wall for installation. (Fig 1)
3. Remove the back plate by loosening the four screws on the back of the fitting. (Fig 2)
4. Connect the mains supply wire to the terminal block. Ensure the wires are secure and no bare wires are exposed. (Fig 3)


Mains Supply Wire

Earth – Yellow/Green 

Neutral – Blue or Black

Live – Brown or Red

Fitting Wire

Yellow/Green or 

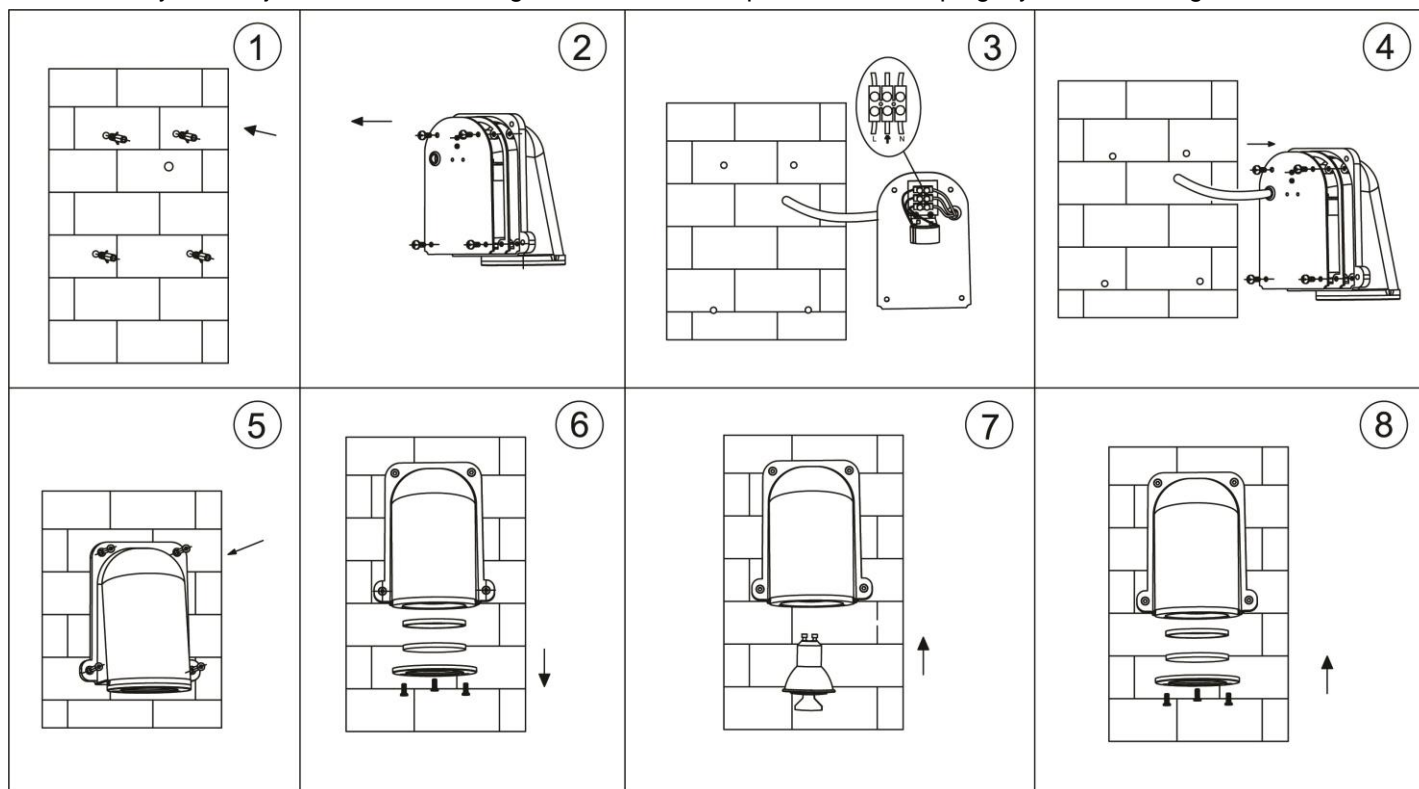
Blue

Brown

5. Install the back plate back onto the fitting by tightening the four screws at the back. (Fig 4)

NOTE: It is recommended that a non-corrosive bead of silicone be applied before installation onto the wall ensuring that no water can run down the cabling and into the fitting.

6. Install the fitting onto the wall by using appropriately sized mounting screws and anchors. Ensure the mounting screws and anchors used are suitable for the mounting surface and the surrounding environment. If using the supplied screws, also use the allen key supplied. (Fig 5)
7. Remove the 3 screws from the glass shade using the allen key supplied. (Fig 6)
8. Install a globe (not included) into the lamp holder. Energy saving globe recommended LED or CFL. Do not exceed the maximum wattage rating. (Fig 7)
9. Install the glass shade back onto the fitting by tightening the 3 screws using the allen key supplied. (Fig 8)
10. Make any final adjustments to the fitting and check that all parts are done up tightly before turning on.



Safety tips

- Always ensure the power is OFF and the fitting has cooled down before performing any maintenance, cleaning, changing the globe or making any adjustment to the fitting.
- To avoid injury or damage to the fitting, ensure that power leads and screws are secure before connecting the power.
- Select a suitable location away from liquids and hazards.
- Ensure that the fitting does not come in contact with corrosive chemicals etc.
- To clean, wipe with a damp clean cloth. Never soak the fitting with water.

Specifications

SKU #	220972	220973	220974
Colour	Aged Nickel	Copper Finish	Solid Brass
Rated Voltage	220-240V~ 50Hz		
Rated Wattage	11W Max (Energy saving globe recommended - LED or CFL)		
Lamp Holder	GU10		
IP Rating	IP44		
Weight	1.2kg		
Dimensions	H:145mm W:115mm E:92mm		

