

Vice

SKU# 220882, 220883

Rated Voltage 230-240V~ 50Hz

Thank you for purchasing this quality Lucci product. To ensure correct function and safety, please read and follow all instructions carefully before using the product. Please keep instructions for future reference.

Warranty

- This light fitting is covered by a 3 year warranty. Please retain proof of purchase and evidence of installation by a licensed electrician.
- Warranty will be void if there is any damage due to improper usage or modification to the fitting.

Installation requirements

- Must be installed by a licensed electrician.
- All wiring and installation of the light fitting must adhere to local and national wiring rules. eg. AS/NZS 3000:2007/Amendment 2:2012 Electrical installations.
- This fitting is rated IP44, this must be maintained during installation.
- Select a suitable location for installation;
 - This fitting is protected against water penetration to IP44 standards, which is splashing from all directions. It must not be left in a position where the product is subjected to constant water.
 - The mounting point must support 4 times the weight of the fitting.
- This fitting is not suitable for dimming or used with a circuit which has a dimmer.
- Take care not to pull any electrical wires during unpacking as this may damage the connection.
- Lay out all the components on a smooth surface and make sure there are no components missing before assembling.
- Check whether the fitting has been damaged during transport. Do not operate/install any product which appears damaged in any way. Return the complete product to the place of purchase for inspection, repair or replacement.
- Ensure power to the circuit you are working on has been switched OFF.


Installation directions

1. Remove the fitting from the back plate by loosening the top and bottom screws.
Use the back plate as a template to mark the screw positions onto the wall.
2. Drill holes into the wall and put the plastic anchors into the holes.
Secure the mounting bracket onto the wall with the screws provided.
Ensure the screws used are suitable for the mounting surface.
Connect the earth and mains supply wire to the terminal block in the fitting. Ensure that the wires are secure and no bare wires are exposed.

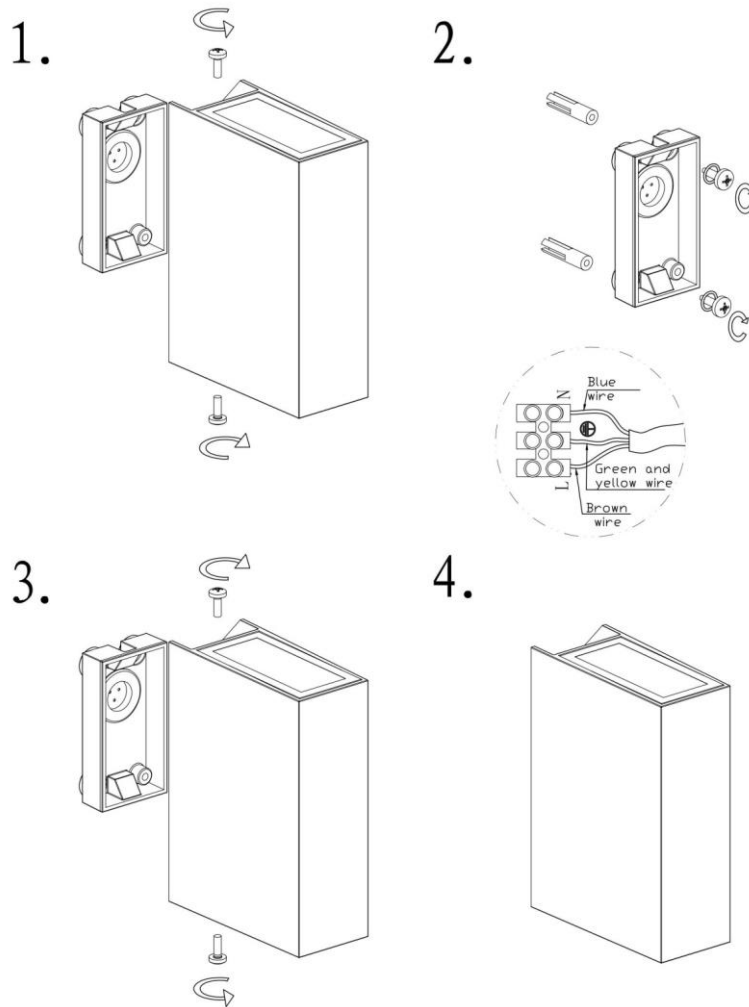
Mains Supply Wire

Earth – Yellow/Green
Neutral – Blue or Black
Live – Brown or Red

Fitting Wire

Yellow/Green 
Blue
Brown

3. Attach the fitting back onto the back plate by tightening the top and bottom screws.
4. Enjoy your new lighting product.



Safety tips

- Always ensure the power is OFF and the fitting has cooled down before performing any maintenance, cleaning, changing the globe or adjustment to the fitting.
- Do not touch the globe with bare hands. Use a clean cloth, gloves or a tissue.
- To avoid injury or damage to the fitting, ensure that power leads and screws are secure before connecting the power.
- Select a suitable location away from liquids and hazards.
- Ensure that the fitting does not come in contact with corrosive chemicals, etc.
- To clean, wipe with a damp clean cloth. Never soak the fitting with water.

Specifications

SKU #	220882	220883
Model #	LD-2561-LED/SL	LD-2561-LED/CH
Rated Voltage	230-240V~ 50Hz	
Rated Wattage	6W	
Lamp	2 x 3W LED	
IP Rating	IP44	
Dimensions	H:123mm W:40mm E:93mm	