

**LUCCI
AIRFUSION BANKSIA
DC CEILING FAN**

- **INSTALLATION**
- **OPERATION**
- **MAINTENANCE**
- **WARRANTY INFORMATION**

CAUTION
**READ INSTRUCTIONS CAREFULLY FOR SAFE
INSTALLATION AND FAN OPERATION.**

THANK YOU FOR PURCHASING

Thankyou for purchasing the latest in energy saving ceiling fans. This fan runs on DC (direct current) power which gives it the benefit of being super energy efficient whilst still maintaining high volume air-movement and silent operation.

Energy saving - The DC motor is the latest technology in fan design. Its highly efficient motor saves up to 65% more energy than ceiling fans with traditional AC motors.

Silent operation – This DC fan motor is programmed with a stabilized current which efficiently reduces motor noise.

Low operating temperature – The DC power is managed effectively which brings down the motor operating temperature to less than 50degs. This results in a much cooler motor than a standard AC fan and increases the longevity of the motor.

5 speed remote control. Regular AC ceiling fans usually come with only 3 speeds, this DC fan comes complete with a 5 speed remote, which gives greater choice of comfort levels.

SAFETY PRECAUTIONS

1. In Europe: This appliance can be used by children aged from 8 years and above and persons with reduced physical, sensory or mental capabilities or lack of experience and knowledge if they have been given supervision or instruction concerning the use of the appliance in a safe way and understand the hazards involved. Cleaning and maintenance shall not be undertaken by children without supervision.
2. In Australia: The appliance is not intended for use by persons (including children) with reduced physical, sensory or mental capabilities, or lack of experience and knowledge, unless they have been given supervision or instruction concerning the use of the appliance by a person responsible for their safety.
3. Children should be supervised to ensure that they do not play with the appliance.
4. An all-pole disconnection switch must be incorporated into the fixed wiring, in accordance with local wiring rules.

IN AUSTRALIA

WARNING:

**FOR SAFE USE OF THIS FAN AN ALL-POLE DISCONNECTION
MUST BE INCORPORATED INTO THE FIXED WIRING IN
ACCORDANCE WITH THE WIRING RULES.**

As outline in clause 7.12.2 of AS/NZS 60335-1 for meeting the minimum electrical safety of this standard.

Please note warranty will be void if installation is without a means for an




all-pole disconnection incorporated in the fixed wiring in accordance with the wiring rules.

Example: If a fan is connected to a circuit that can be isolated via an all-pole safety switch at the switchboard, then this is considered to be an all-pole disconnection to the ceiling fan electrical circuit, meeting the requirements of clause 7.12.2 of AS/NZS 60335.1.

A single-pole switch on the active of the receiver input of remote control must also be included in the wiring, and located the same room as the ceiling fan.



5.  Do not dispose of electrical appliances as unsorted municipal waste, use separate collection facilities. Contact your local government for information regarding the collection systems available. If electrical appliances are disposed of in landfills or dumps, hazardous substances can leak into the groundwater and get into the food chain, damaging your health and well-being.
6. The structure to which the fan is to be mounted must be capable of supporting a weight of 30kg.
7. The fan should be mounted so that the blades are at least 2.3m above the floor in Europe or 2.1m above the floor in Australia.
8. This fan is suitable for indoor, alfresco and coastal areas where the fan is fully undercover with a minimum of 1 walls. This fan is not waterproof. When installed in an alfresco or coastal area, the ceiling fan must be positioned in a location protected from water, wind and dust. Exposure to these elements will void the warranty. Mounting the fan in a situation where it is subject to water or moisture is dangerous.
9. Only a licensed electrician should execute the installation.



BEFORE INSTALLATION

Unpack your fan and check contents. You should have the following:

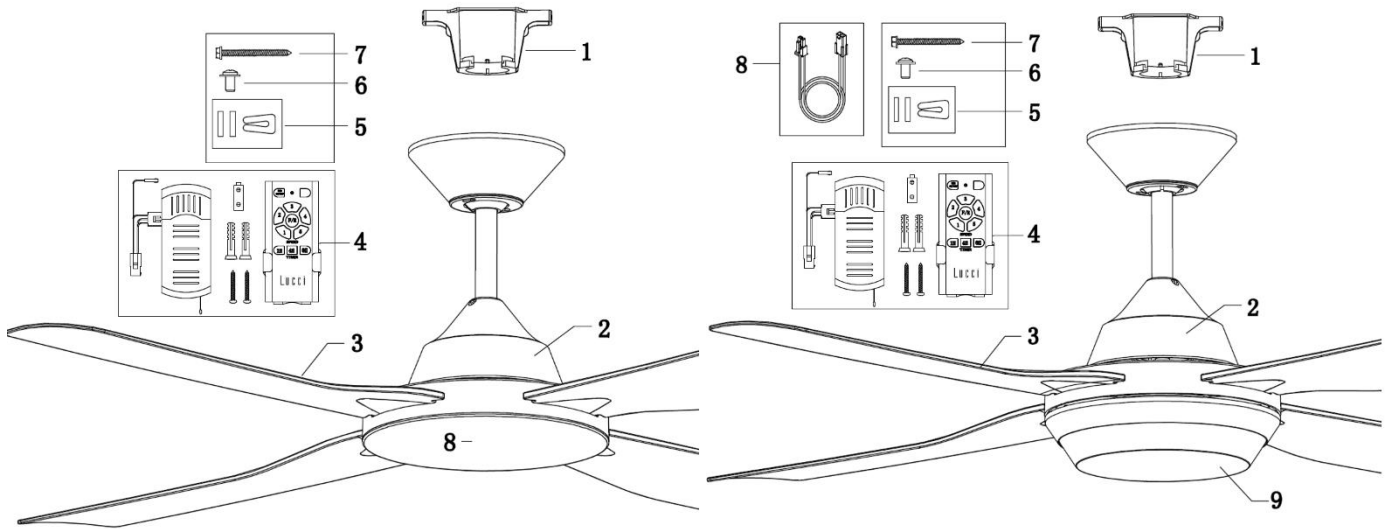


Fig. 1

FAN WITHOUT LIGHT

1. Mounting bracket x 1
2. Pre-assembled fan motor, down rod, canopy and bottom cover x 1
3. Blades x 4
4. Remote x 1 set
5. Balancing kit x 1 set
6. Blade screws x 9
7. Wooden screws for mounting bracket x 2
8. Bottom cover x 1

FAN WITH LED LIGHT

1. Mounting bracket x 1
2. Pre-assembled fan motor, down rod, canopy and light kit x 1
3. Blades x 4
4. Remote x 1 set
5. Balancing kit x 1 set
6. Blade screws x 9
7. Wooden screws for mounting bracket x 2
8. Light kit extension wire for long down rod
9. Light kit x 1



INSTALLING THE MOUNTING BRACKET

- The ceiling fan must be installed in a location so that the blades are spaced 300mm from the tip of the blade to the nearest objects or walls.
- Secure the hanging bracket to the ceiling joist or structure that is capable of carrying a load of at least 30kg, with two long screws provided. Ensure at least 30mm of the screw is threaded into the support.

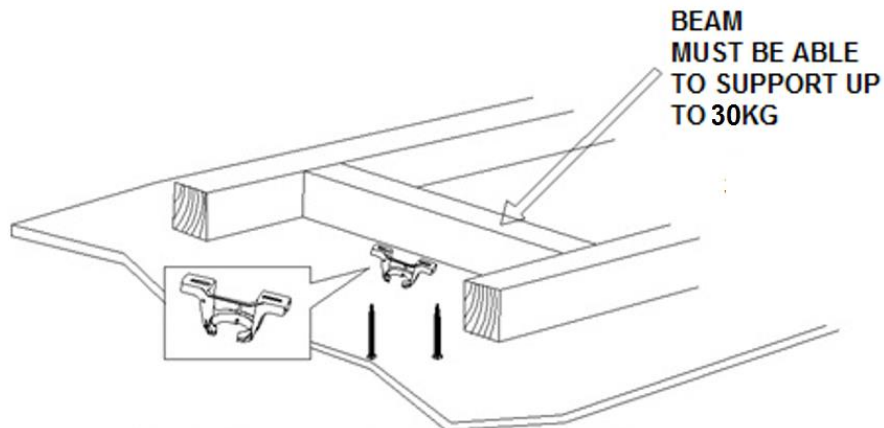


Fig. 2

NOTE: THIS PICTURE IS FOR REPRESENTATION ONLY AND DOES NOT REPRESENT THE ACTUAL BRACKET.

NOTE: The bracket screws provided are for use with wooden structures only. For structures other than wood, the appropriate screw type MUST be used.

Angled Ceiling Installation

This fan hanging system supports a maximum 13 degree angled ceiling installation.

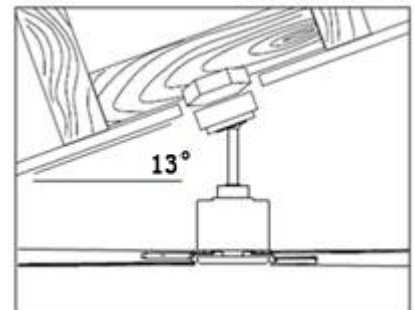


Fig. 3

HANGING THE FAN

Lift the fan assembly onto the mounting bracket. Ensure the registration slot (A) of the hanger ball is positioned on the stopper (B) of the mounting bracket (C) to prevent the fan from rotating when in operation. (Fig.4)

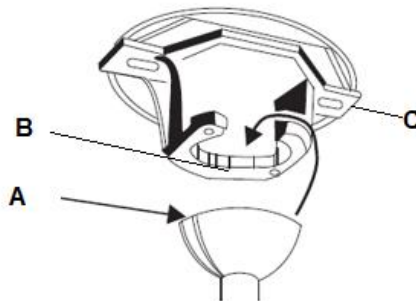


Fig. 4

BLADE INSTALLATION

BLADE ATTACHMENT

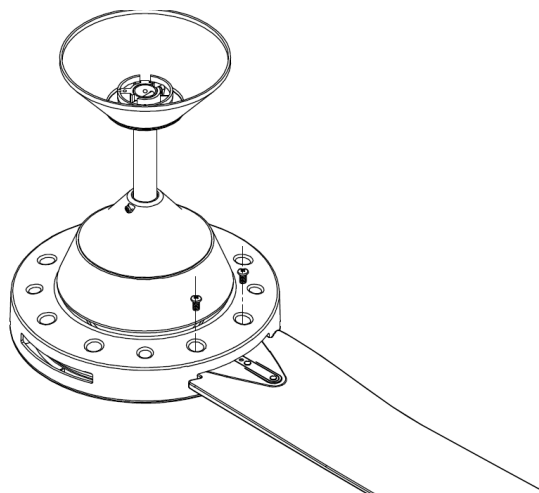


Fig. 5

1. Insert the blade into the square slot of the motor.
2. Secure the blade on the bracket by using 2 motor screws, ensuring they are tightened simultaneously.
3. Once completed, repeat the process on the remaining blades.



ELECTRICAL WIRING DIAGRAM

WARNING: For your safety all electrical connection must be undertaken by a licensed electrician.

NOTE: An additional all pole disconnection switch must be included in the fixed wiring. Please make sure the main switch has been turned off before connecting.

NOTE: If there are two or more DC ceiling fans installed in the one location, an isolation switch is required for each ceiling fan. This is required when programming the remote and receiver to pair together.

NOTE: Wiring diagram includes the light kit wiring. The light wiring diagram is omitted when no light kit is used with the ceiling fan.

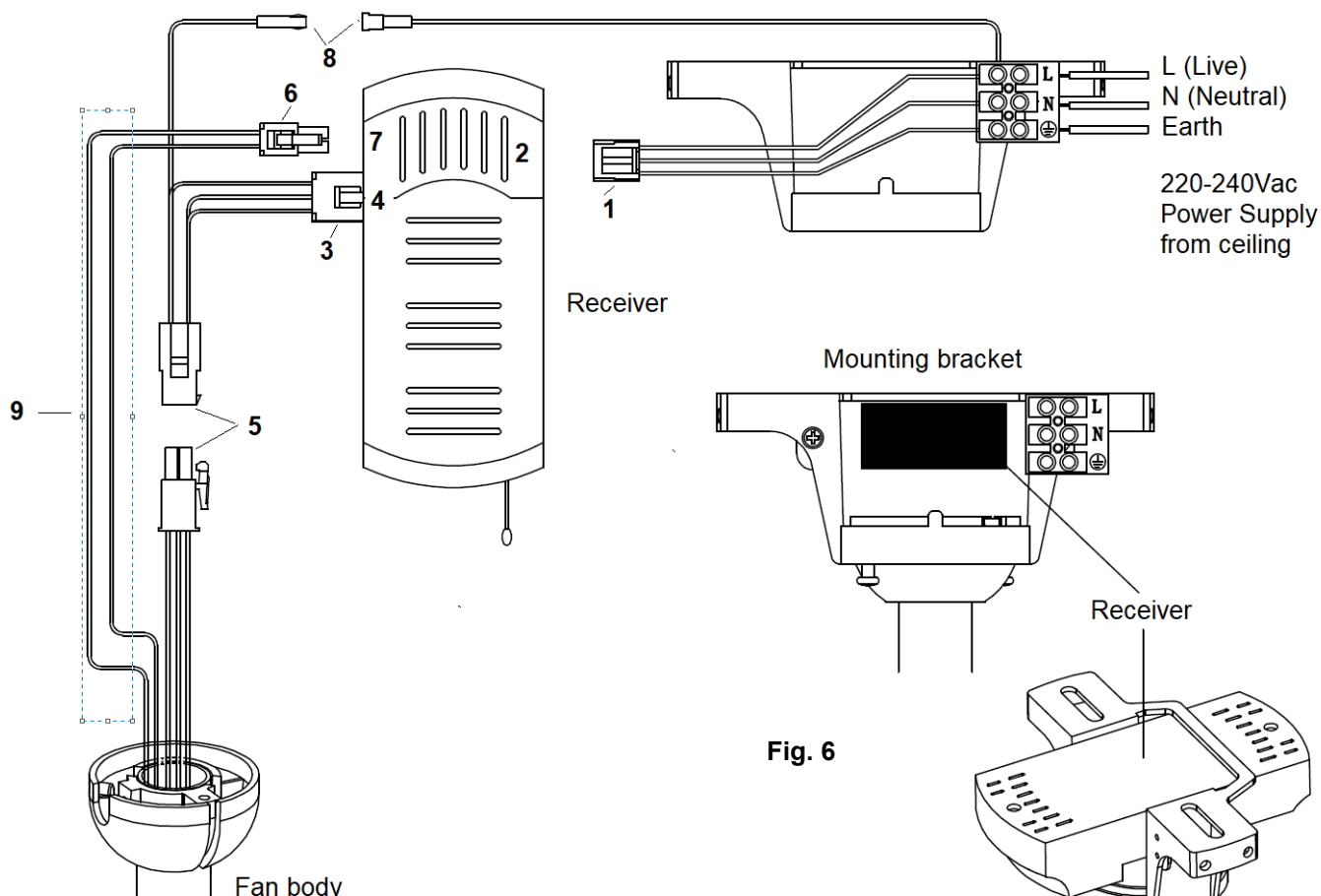


Fig. 6

Wiring requirement: (Fig.6)

- Connect the power supply Live wire to the “L” terminal; connect the power supply Neutral wire to “N” terminal; connect ground wire to “⊕” terminal.
- Insert the DC motor receiver into the mounting bracket.
- Insert the 3-ports fixed wire quick connector (1) to the DC motor receiver power input socket (2).
- Insert the DC motor receiver output wire connector (3) to the DC motor receiver power output socket (4).
- Connect the DC motor receiver output wire and the motor power input wires via the 4-ports quick connectors (5).
- Insert the LED driver power input wire connector (6) to the DC motor receiver light output socket (7). For fan model without light, ignore this LED driver power input wire (9) connection.
- Connect the earthing connectors together via the 1-port quick connectors (8).

FINISHING THE INSTALLATION

- Loosen the 2 screws from the bottom of the mounting bracket.
- Slide the canopy up to the mounting bracket and place the key hole on the canopy over the screw on the mounting bracket, turn the canopy until it locks in place at the narrow section of the key holes and secure it by tightening the two set screws. Avoid damaging the electrical wiring prepared previously.

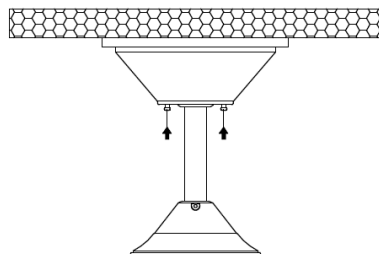


Fig. 7

How to replace the LED driver (For models with light kit)

NOTE: Always turn Off the power at the mains switch before attempting to replace the LED driver. Loosen the screw (A) to lift the top housing (B). Replace the LED driver by unplugging the connectors (C, D). Reposition the top housing and secure it on the down rod by screw.

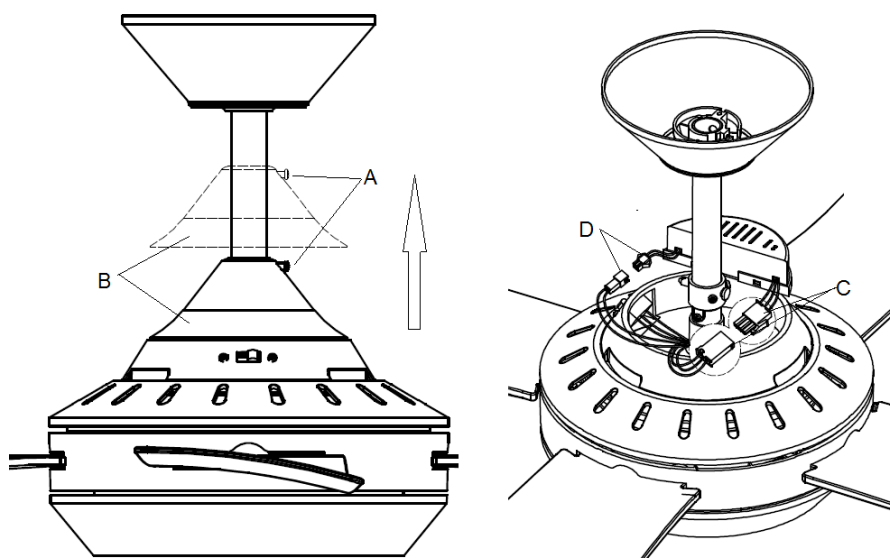


Fig. 8

USING YOUR CEILING FAN

BATTERY INSTALLATION

1 x 23A 12V battery is required to operate the remote control. Pull out the battery cover and install the battery. Ensure the polarity is correct as shown in the battery compartment.

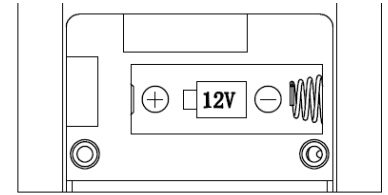


Fig. 9

OPERATING THE REMOTE

Before you start using the remote, take the time to read through this section and get familiar with the buttons and function of each button.

NOTE: when you turn on the fan for the first time or switch the main power to the controller, you need to start the fan on high “5” speed first and then choose a lower speed. A 5-10 seconds is required to allow the DC fan to respond to the remote each speed.

NOTE: when you change the fan running direction, a 30-40 seconds is required to allow the DC fan to respond to the remote.



: FAN ON/OFF BUTTON (1):

- Press the button to turn the fan on/off.
- Press and hold the button for 5 seconds within 30 seconds of switching the power to the receiver for pairing the transmitter and receiver.



: LIGHT CONTROL BUTTON (2): Press the button to turn on/off the light.



: FAN SPEED CONTROL BUTTON (3):

Press the speed buttons from 5 to 1, the fan will running at following order: Extra-high speed (5) → High speed (4) → Medium speed (3) → Low speed (2) → Extra-low speed (1).



: REVERSE FUNCTION BUTTON (4): Press the button to activate the reverse running function. The fan must be operating to activate the reverse function.

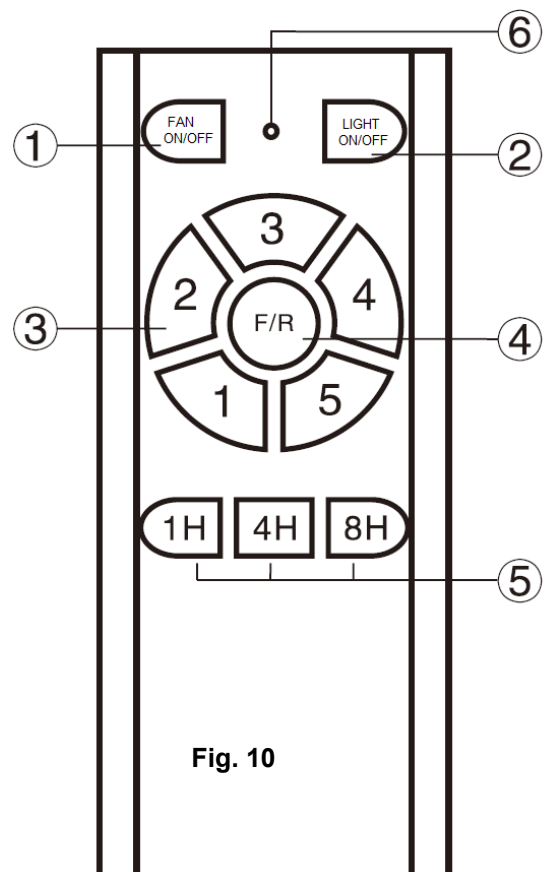


Fig. 10



: FAN TIMER BUTTON (5):

- Press the button to activate the fan timer function, the fan will turn off after running 1 hour / 4 hours / 8 hours. To cancel the timer function, just press the fan on/off button.



: LED INDICATOR (6):

- Indicates the fan button has been pressed and activated.
- Flashing to indicate the battery at low level.

REPAIRING THE FAN RECEIVER AND REMOTE

Note: The pairing of the transmitter and receiver have been paired at the factory, when ceiling fan is installed, pairing the fan receiver and remote is NOT required.

Should the remote and receiver lose control after installation or during use, the pairing of the remote and the receiver must be repaired. Below are the operating symptoms and method to repair the pairing of the DC ceiling fan remote and receiver.


Issues:

- Loss of control - Fan is only running at high speed after installation
- Loss of control - No reverse function after installation
- Loss of control - Remote cannot communicate with the receiver

Solution:

- Switch off the main power to ceiling fan.



- Press and hold the “” button on **transmitter** for 5 seconds within 30 seconds of switching the power to the receiver of the ceiling fan. The fan will have “bee, bee” sound to indicate the pairing process is activated.
- Turn ON and change the speed of the ceiling fan by the transmitter to check the operation and successful pairing.

INSTALLING THE TRANSMITTER HOLDER

Install the holder with the two screws provided.

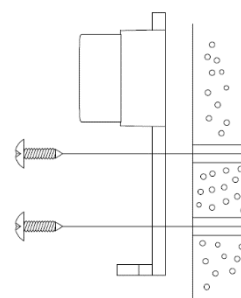


Fig. 11



AFTER INSTALLATION

WOBBLE:

Note: Ceiling fans tend to move during operation due to the fact that they are mounted on a rubber grommet. If the fan was mounted rigidly to the ceiling it would cause excessive vibration. Movement of a few centimeters is quite acceptable and does not suggest any problem.

TO REDUCE THE FAN WOBBLE: Please check that all screws which fix the mounting bracket and down rod are secure.

BALANCING KIT: A balancing kit is provided to balance the ceiling fan on initial installation. Please refer to the instruction on how to use the balancing kit. The balancing kit can be used to assist re-balancing should the ceiling fan become un-balanced again. Store your balancing kit away after installation for future use if required.

NOISE:

When it is quiet (especially at night) you may hear occasional small noises. Slight power fluctuations and frequency signals superimposed in the electricity for off-peak hot water control, may cause a change in fan motor noise.

This is normal. Please allow a 24-hour “settling-in” period, most noises associated with a new fan disappear during this time.

The manufacturer’s warranty covers actual faults that may develop and NOT minor complaints such as hearing the motor run – all electric motors are audible to some extent.

CARE & CLEANING

- Periodic cleaning of your ceiling fan is the only maintenance required. Use a soft brush or lint free cloth to avoid scratching the paint finish. Please turn off electricity power when you do so.
- Do not immerse your ceiling fan in the water. It could damage the motor or the blades and create the possibility of an electrical shock.
- Ensure that the fitting does not come in contact with any organic solvents or cleaners.
- To clean the fan blade, wipe with only a damp clean cloth with NO organic solvents or cleaners.
- The motor has a permanently lubricated ball bearing. There is no need to oil.

NOTE: Always turn off the power at the mains switch before attempting to clean your fan.

TECHNICAL INFORMATION

Fan Models	Rated Voltage	Rated power (motor)	Light Rated Power	Battery for remote
48 inch blade fan only	220-240 VAC	35W	N/A	23A 12V
48 inch blade fan with light	220-240 VAC	35W	18W, LED Life time: 30,000H, NON-DIM	23A 12V



This fan is suitable for indoor, alfresco and coastal areas where the fan is fully undercover with a minimum of 1 walls. This fan is not waterproof. When installed in an alfresco or coastal area, the ceiling fan must be positioned in a location protected from water, wind and dust. Exposure to these elements will void the warranty. Mounting the fan in a situation where it is subject to water or moisture is dangerous.

LUCCI CEILING FAN WARRANTY DETAIL

LUCCI WARRANTY HOTLINE- 1800 602 243

THIS WARRANTY IS VALID IN AUSTRALIA ONLY

In the event of service being required, please call the Lucci Fan Warranty Hotline on 1800 602 243 between 9am & 5pm (EST) Monday to Friday. Please make sure you have all the ceiling fan details filled out at the end of the manual before making the call.

Every Lucci ceiling fan is thoroughly inspected and tested before being released for sale. In addition to any warranty rights or conditions under statutory regulations, Lucci warrants all of its ceiling fans against defective workmanship and faulty materials for twenty four (24) months from the date of purchase. Lucci undertakes, at its option, to repair or replace, free of charge, each product or part thereof on condition that;

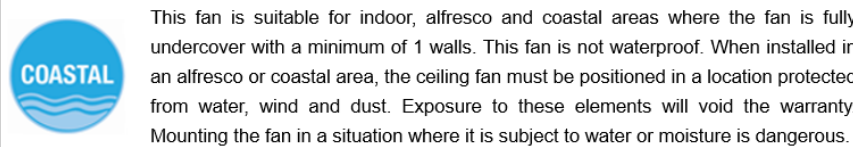
1. The fan or relevant part has not been subjected to misuse, neglect, or been involved in an accident.
2. The repairs are not required as a result of normal wear and tear.
3. The product was installed by a licensed electrical contractor.
4. A copy of the original receipt of purchase is presented.
5. 12 month warranty applies when used in any non-domestic applications.
6. This warranty does not cover stains, scratch and scuff marks, or dents if the product is purchased through a factory outlet or to refurbished items.

Our goods come with guarantees that cannot be excluded under the Australian Consumer Law. You are entitled to a replacement or refund for a major failure and compensation for any other reasonably foreseeable loss or damage. You are also entitled to have the goods repaired or replaced if the goods fail to be of acceptable quality and the failure does not amount to a major failure.

Lucci Design cannot be held responsible for any repair other than those carried out by it or one of its Authorised Service Agents. Please keep this warranty information in a safe place. This information must be produced in the event of service being required.

Distributed by:

Beacon Lighting
140 Fulton Drive
Derrimut, Victoria, 3026
Australia
Ph 1300 289 808
Email: warranty@beaconlighting.com.au



CEILING FAN WARRANTY INFORMATION

LUCCI WARRANTY HOTLINE- 1800 602 243

Complete and retain this form for your personal records and warranty purposes.

NAME.....

ADDRESS.....

.....POSTCODE.....

MODEL NUMBER.....

PO NUMBER or DATECODE (PO# + DATECODE Sticker here)

DATE OF PURCHASE.....


INSTALLING LICENSED ELECTRICIAN.....

.....

LICENCE No.....

ATTACH PROOF OF PURCHASE HERE

THIS COMPLETED DETAIL PAGE SHOULD BE PRODUCED AND FAXED TO THE WHOLESALER OR THEIR AUTHORISED AGENTS BEFORE OBTAINING WARRANTY SERVICE



This fan is suitable for indoor, alfresco and coastal areas where the fan is fully undercover with a minimum of 1 walls. This fan is not waterproof. When installed in an alfresco or coastal area, the ceiling fan must be positioned in a location protected from water, wind and dust. Exposure to these elements will void the warranty. Mounting the fan in a situation where it is subject to water or moisture is dangerous.