



LUCCI FUTURA MOOD LED CEILING FAN

- **INSTALLATION**
- **OPERATION**
- **MAINTENANCE**
- **WARRANTY INFORMATION**

CAUTION
**READ INSTRUCTIONS CAREFULLY FOR SAFE
INSTALLATION AND FAN OPERATION.**

THANK YOU FOR PURCHASING

Thank you for purchasing this quality Lucci product. To ensure correct function and safety, please read and save all instructions before using the product.

SAFETY PRECAUTIONS

1. In Europe: This appliance can be used by children aged from 8 years and above and persons with reduced physical, sensory or mental capabilities or lack of experience and knowledge if they have been given supervision or instruction concerning the use of the appliance in a safe way and understand the hazards involved. Cleaning and maintenance shall not be undertaken by children without supervision.
2. In Australia: The appliance is not intended for use by persons (including children) with reduced physical, sensory or mental capabilities, or lack of experience and knowledge, unless they have been given supervision or instruction concerning the use of the appliance by a person responsible for their safety.
3. Children should be supervised to ensure that they do not play with the appliance.
4. An all-pole disconnection switch must be incorporated into the fixed wiring, in accordance with local wiring rules.

IN AUSTRALIA**WARNING:**

**FOR SAFE USE OF THIS FAN AN ALL-POLE DISCONNECTION
MUST BE INCORPORATED INTO THE FIXED WIRING IN
ACCORDANCE WITH THE WIRING RULES.**

As outline in clause 7.12.2 of AS/NZS 60335-1 for meeting the minimum electrical safety of this standard.

Please note warranty will be void if installation is without a means for an all-pole disconnection incorporated in the fixed wiring in accordance with the wiring rules.

Example: If a fan is connected to a circuit that can be isolated via an all-pole safety switch at the switchboard, then this is considered to be



an all-pole disconnection to the ceiling fan electrical circuit, meeting the requirements of clause 7.12.2 of AS/NZS 60335.1.

A single-pole switch on the active of the receiver input of remote control must also be included in the wiring, and located the same room as the ceiling fan.



5. Do not dispose of electrical appliances as unsorted municipal waste, use separate collection facilities. Contact your local government for information regarding the collection systems available. If electrical appliances are disposed of in landfills or dumps, hazardous substances can leak into the ground water and get into the food chain, damaging your health and well-being.
6. The structure to which the fan is to be mounted must be capable of supporting a weight of 40kg.
7. The fan should be mounted so that the blades are at least 2.3 m above the floor in Europe or 2.1 m above the floor in Australia.
8. This fan is suitable for indoor and alfresco areas where the fan is fully undercover with a minimum of 2 walls. This fan is not waterproof. When installed in an alfresco area, the ceiling fan must be positioned in a location protected from water, wind, dust and salt. Exposure to these elements will void the warranty. Mounting the fan in a situation where it is subject to water or moisture is dangerous.
9. Only a licensed electrician should execute the installation.



BEFORE INSTALLATION

Unpack your ceiling fan carefully. Remove all parts and hardware. Examine all parts, you should have the following:

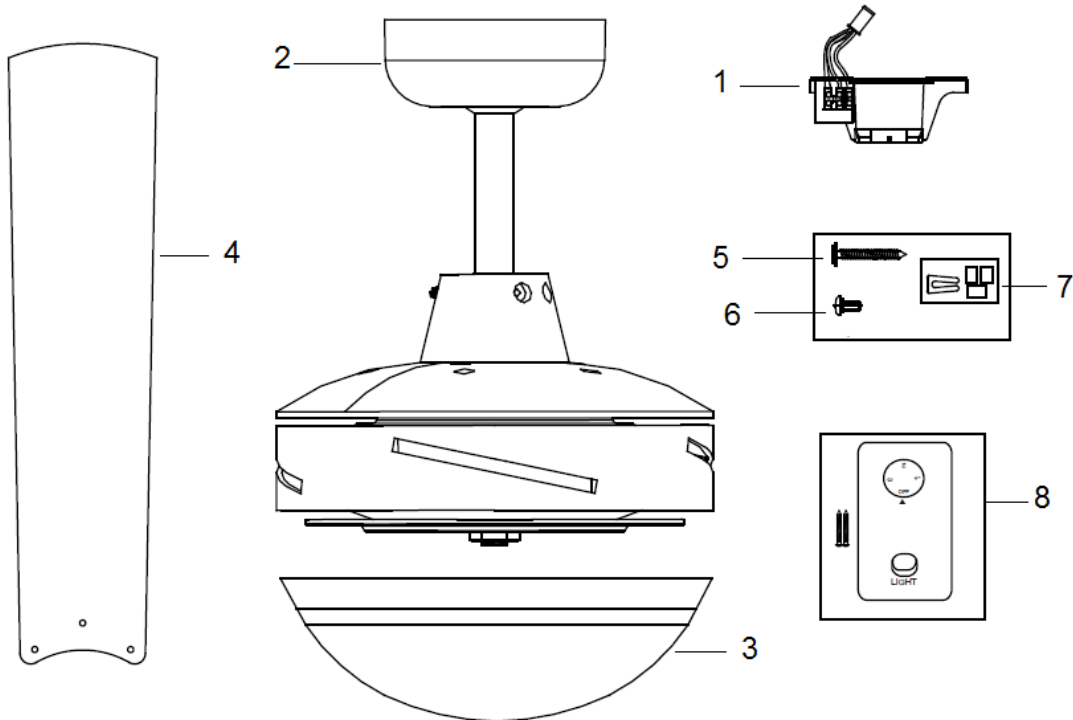


Fig. 1

- 1 Mounting bracket x 1
- 2 Pre-assembled fan motor, down rod and canopy cover x 1
- 3 LED light kit x 1
- 4 Blades x 4
- 5 Screw for mounting bracket x 2
- 6 Motor screws for blades x 13
- 7 Balancing kit x 1 set
- 8 Wall switch x 1 set



This fan is suitable for indoor and alfresco areas where the fan is fully undercover with a minimum of 2 walls. This fan is not waterproof. When installed in an alfresco area, the ceiling fan must be positioned in a location protected from water, wind, dust and salt. Exposure to these elements will void the warranty. Mounting the fan in a situation where it is subject to water or moisture is dangerous.

INSTALLING THE MOUNTING BRACKET

- The ceiling fan must be installed in a location so that the blades are spaced 300mm from the tip of the blade to the nearest objects or walls.
- Secure the hanging bracket to the ceiling joist or structure that is capable of carrying a load of at least 40kg, with two long screws provided. Ensure at least 30mm of the screw is threaded into the support.

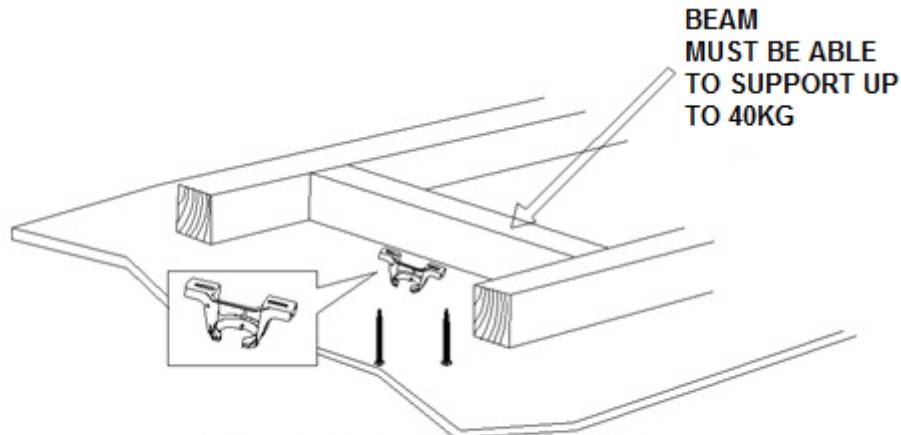


Fig. 2

NOTE: THIS PICTURE IS FOR REPRESENTATION ONLY AND DOES NOT REPRESENT THE ACTUAL BRACKET.

NOTE: The bracket screws provided are for use with wooden structures only. For structures other than wood, the appropriate screw type MUST be used.

Angled ceiling Installation

This fan hanging system supports a maximum 20 degree angled ceiling installation.

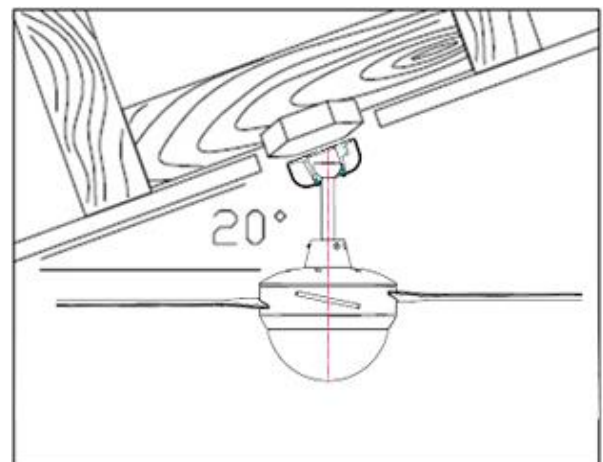


Fig. 3



This fan is suitable for indoor and alfresco areas where the fan is fully undercover with a minimum of 2 walls. This fan is not waterproof. When installed in an alfresco area, the ceiling fan must be positioned in a location protected from water, wind, dust and salt. Exposure to these elements will void the warranty. Mounting the fan in a situation where it is subject to water or moisture is dangerous.

HANGING THE FAN

Lift the fan assembly onto the mounting bracket. Ensure the registration slot (A) of the hanger ball is positioned on the stopper (B) of the mounting bracket (C) to prevent the fan from rotating when in operation. (Fig.4)

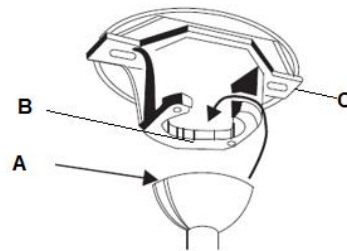


Fig. 4

INSTALLING THE FAN

1. Insert the blades through the side slot of the motor and align with the 3 holes. If the holes do not align, the blade is upside down. The blade should fit securely and the screws should slot into the blade screw holes. Insert the screw driver with the screw through the key hole of the lamp bracket. Secure the blades with 3 blade screws. Ensure all screws are tightened evenly to reduce the chance of warping or unbalancing. Repeat this process for all blades. **Fig. 5**

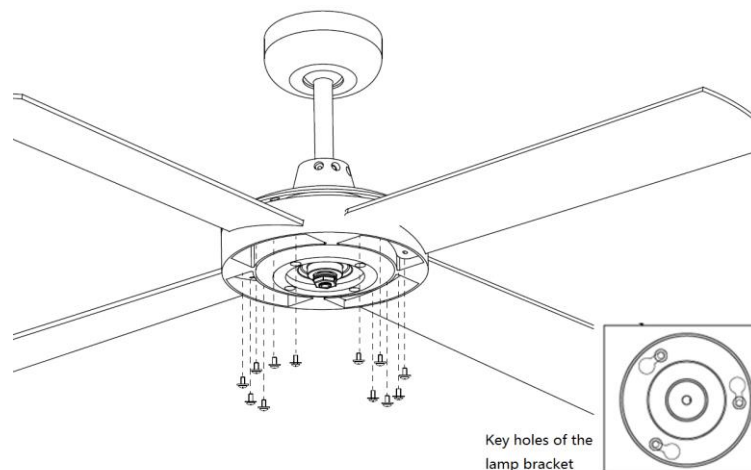


Fig. 5

2. Attach the LED light kit to the lamp base and connect wires to the LED light kit via the quick connectors. Insert the housing assembly screws into the larger ends of the key hole slots and turn the LED light kit body clockwise until the housing assembly screws are firmly situated in the narrow ends of the keyhole slots. **Fig. 6**

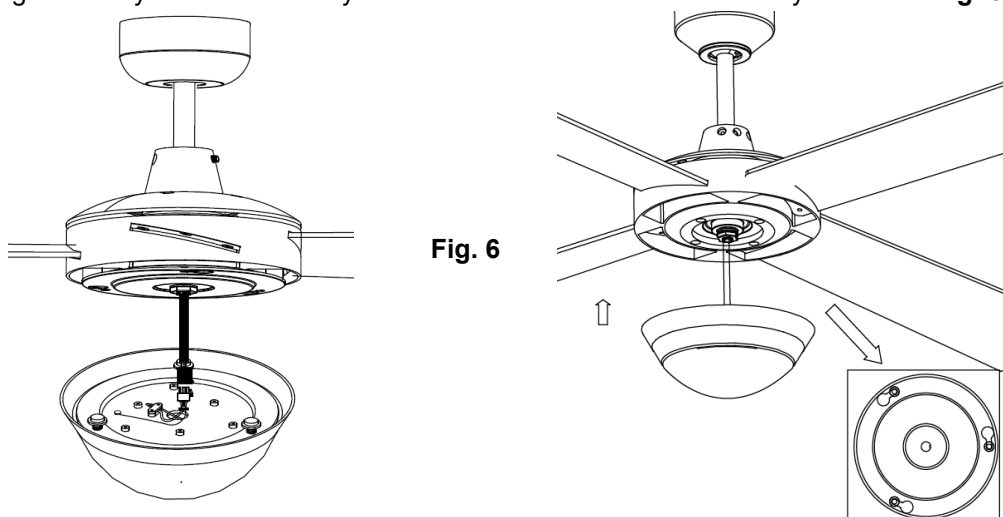


Fig. 6



This fan is suitable for indoor and alfresco areas where the fan is fully undercover with a minimum of 2 walls. This fan is not waterproof. When installed in an alfresco area, the ceiling fan must be positioned in a location protected from water, wind, dust and salt. Exposure to these elements will void the warranty. Mounting the fan in a situation where it is subject to water or moisture is dangerous.

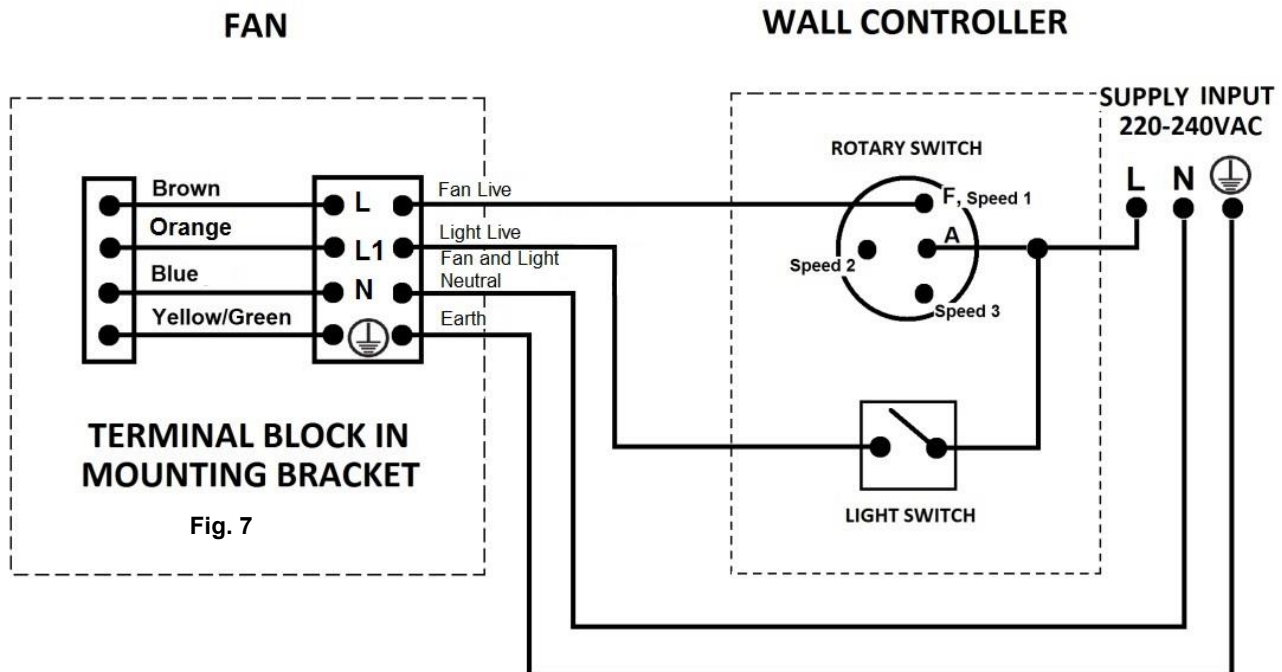
ELECTRICAL WIRING DIAGRAM

WARNING: FOR YOUR SAFETY ALL ELECTRICAL CONNECTIONS MUST BE UNDERTAKEN BY A LICENSED ELECTRICIAN.

NOTE: AN ADDITIONAL ALL POLE DISCONNECTION SWITCH MUST BE INCLUDED IN THE FIXED WIRING.

NOTE: Wiring diagram includes the light kit wiring. The light wiring diagram and switch is omitted when no light kit is used with the ceiling fan.

USE WITH WALL SWITCH WIRING DIAGRAM:



1/ Remote without plugs

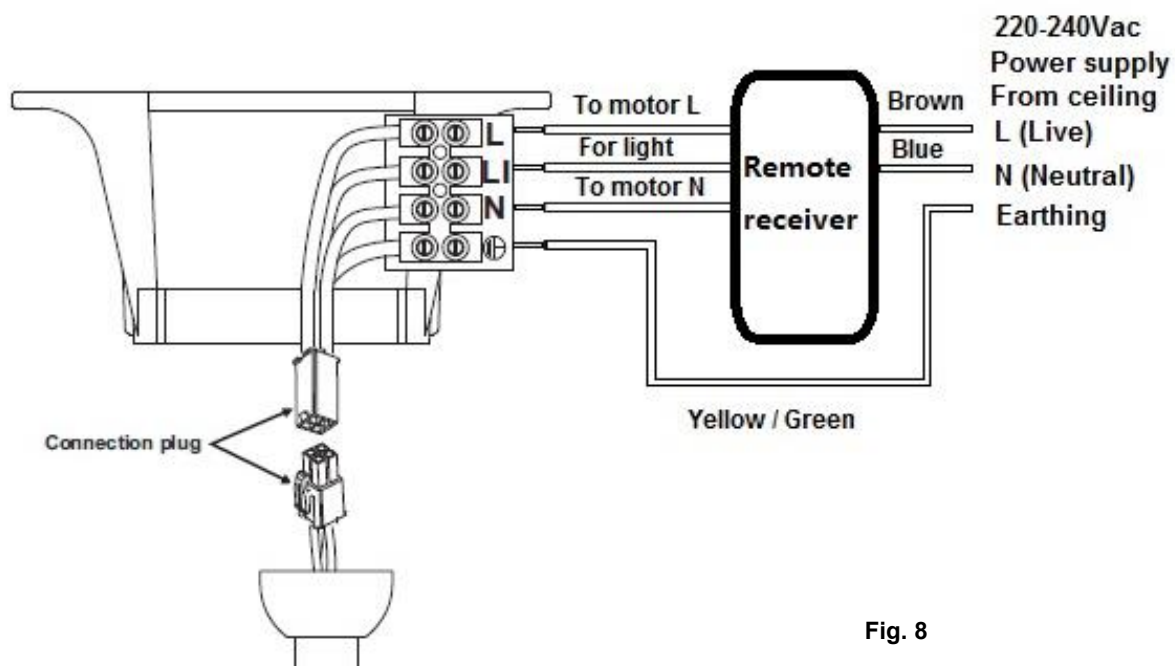
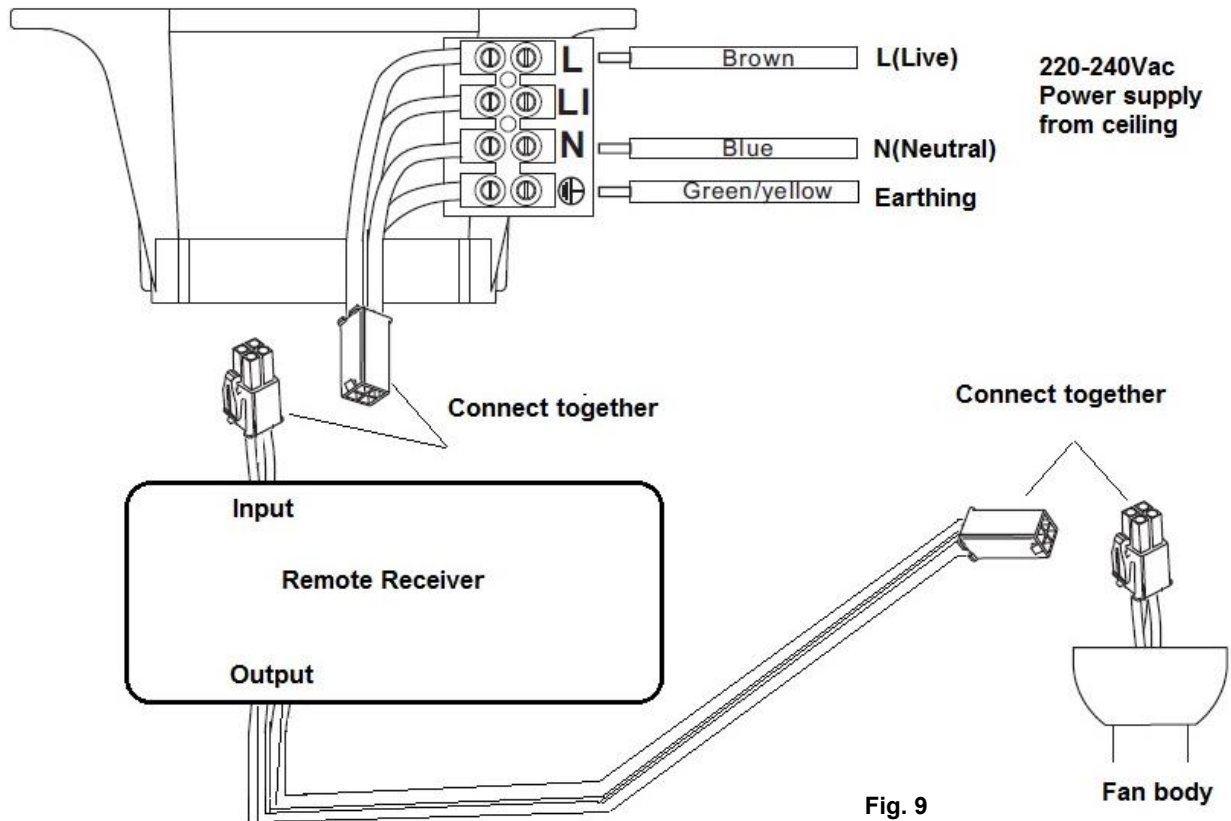


Fig. 8

This fan is suitable for indoor and alfresco areas where the fan is fully undercover with a minimum of 2 walls. This fan is not waterproof. When installed in an alfresco area, the ceiling fan must be positioned in a location protected from water, wind, dust and salt. Exposure to these elements will void the warranty. Mounting the fan in a situation where it is subject to water or moisture is dangerous.

2/ Remote with plugs



FINISHING THE INSTALLATION

- After completing the electrical connection at the mounting bracket terminal block, connect the ceiling fan wiring via the quick connector plug.
- Cover the mounting bracket with the canopy. Ensure all electrical wiring is tucked inside the canopy and that the wires are not damaged during this step. Secure the canopy to the hanger bracket using the screws provided.

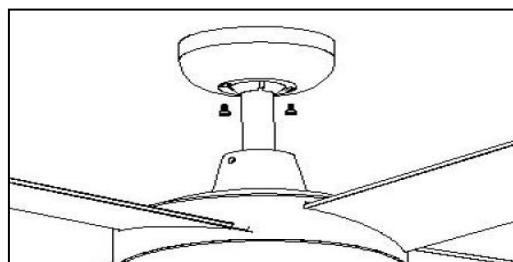


Fig. 10



This fan is suitable for indoor and alfresco areas where the fan is fully undercover with a minimum of 2 walls. This fan is not waterproof. When installed in an alfresco area, the ceiling fan must be positioned in a location protected from water, wind, dust and salt. Exposure to these elements will void the warranty. Mounting the fan in a situation where it is subject to water or moisture is dangerous.

USING YOUR CEILING FAN

FAN WALL CONTROL

Turn on the power and check the operation of the fan.

- OFF Position – Fan off
- 3rd Position – Low fan speed
- 2nd Position – Medium fan speed
- 1st Position – High fan speed

Light Control

- Toggle Switch – On/off
- The LED light kit has a 3-step dimmable function which is controlled by an ON/OFF switch. Turn the power ON/OFF to the fitting 4 times within 2 seconds, the fitting will light up in the following order:

Stage 1. Toggle the switch ON, the fitting will light up at 100% brightness.

Stage 2. Toggle the switch OFF and then ON, the fitting will light up at 60% brightness.

Stage 3. Toggle the switch OFF and then ON, the fitting will light up at 10% brightness.

Stage 4. Toggle the switch OFF and then ON, the fitting will be at 100% brightness as in Stage 1.

To switch back to 100% brightness at any stage, turn OFF the fitting, and then after 4 seconds turn ON the switch. The fitting will reset to 100% brightness.

REVERSING SWITCH

Your ceiling fan can operate in either summer or winter mode.

SUMMER Mode: The reverse switch shall be in the “down” (SUMMER) position to make the fan rotate in an anticlockwise direction. The airflow will be directed downwards, for cooling in summer.

WINTER Mode: The reverse switch shall be in the “up” (WINTER) position to make the fan rotate in a clockwise direction. The airflow will be directed upwards assisting in the circulation of warm air, for energy conservation in winter.

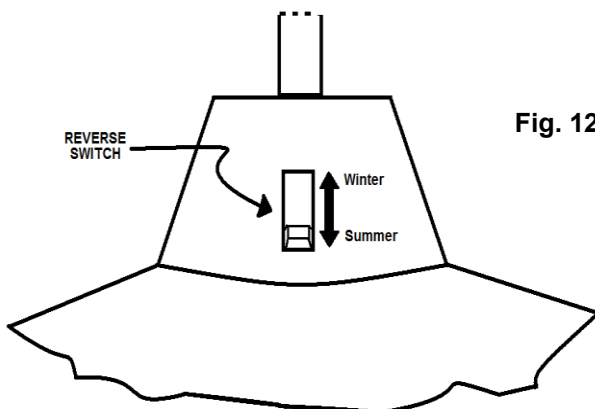
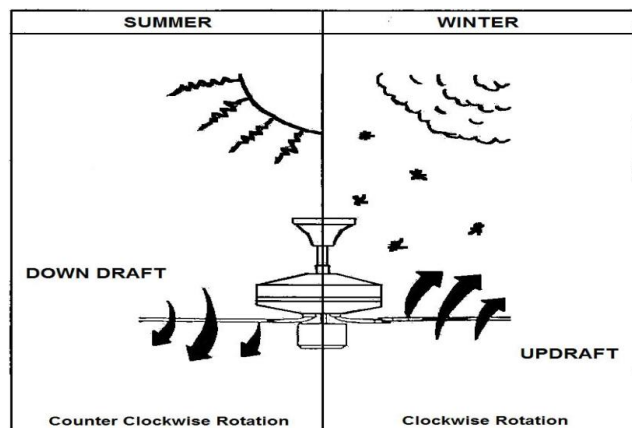


Fig. 12



AFTER INSTALLATION

WOBBLE:

NOTE: ceiling fans tend to move during operation due to the fact that they are mounted on a rubber grommet. If the fan was mounted rigidly to the ceiling it would cause excessive vibration. Movement of a few centimetres is quite acceptable and DOES NOT suggest any problem.

TO REDUCE THE FAN WOBBLE: Please check that all screws which fix the mounting bracket and down rod are secure.

BALANCING KIT: A balancing kit is provided to balance the ceiling fan on initial installation. Please refer to the instruction on how to use the balancing kit. The balancing kit can be used to assist re-balancing should the ceiling fan become un-balanced again. Store your balancing kit away after installation for future use if required.

NOISE:

When it is quiet (especially at night) you may hear occasional small noises. Slight power fluctuations and frequency signals superimposed in the electricity for off-peak hot water control, may cause a change in fan motor noise. This is normal. Please allow a 24-hour “breaking-in” period, most noises associated with a new fan disappear during this time. All electric motors are audible to some extent. Please note that this is not a product fault, and as such is not covered under warranty.

CARE AND CLEANING:

- Periodic cleaning of your ceiling fan is the only maintenance required. Use a soft brush or lint free cloth to avoid scratching the paint finish. Please turn off electricity power when you do so.
- Do not use water when cleaning your ceiling fan. It could damage the motor or the blades and create the possibility of an electrical shock.
- The motor has a permanently lubricated ball bearing so there is no need to oil.

NOTE: Always turn OFF the power at the mains switch before attempting to clean your fan.

TECHNICAL INFORMATION

Futura ECO LED SERIES models	Rated Voltage	Rated power (motor)	Rated power lamp
48 inch blade fan only	220-240 VAC	60W	18W,LED Life time: 30,000H
52 inch blade fan only	220-240 VAC	70W	18W, LED Life time: 30,000H



LUCCI CEILING FAN WARRANTY DETAIL

LUCCI WARRANTY HOTLINE- 1800 602 243

THIS WARRANTY IS VALID IN AUSTRALIA ONLY

In the event of service being required, please call the Lucci Fan Warranty Hotline on 1800 602 243 between 9am & 5pm (EST) Monday to Friday. Please make sure you have all the ceiling fan details filled out at the end of the manual before making the call.

Every Lucci ceiling fan is thoroughly inspected and tested before being released for sale. In addition to any warranty rights or conditions under statutory regulations, Lucci warrants all of its ceiling fans against defective workmanship and faulty materials for twenty four (24) months from the date of purchase. Lucci undertakes, at its option, to repair or replace, free of charge, each product or part thereof on condition that;

1. The fan or relevant part has not been subjected to misuse, neglect, or been involved in an accident.
2. The repairs are not required as a result of normal wear and tear.
3. The product was installed by a licensed electrical contractor.
4. A copy of the original receipt of purchase is presented.
5. 12 month warranty applies when used in any non-domestic applications.
6. This warranty does not cover stains, scratch and scuff marks, or dents if the product is purchased through a factory outlet or to refurbished items.

Our goods come with guarantees that cannot be excluded under the Australian Consumer Law. You are entitled to a replacement or refund for a major failure and compensation for any other reasonably foreseeable loss or damage. You are also entitled to have the goods repaired or replaced if the goods fail to be of acceptable quality and the failure does not amount to a major failure.

Lucci Design cannot be held responsible for any repair other than those carried out by it or one of its Authorised Service Agents. Please keep this warranty information in a safe place. This information must be produced in the event of service being required.

Distributed by:

Beacon Lighting
140 Fulton Drive
Derrimut, Victoria, 3030
Australia
Ph +613 9368 1000
Fax +613 9360 9332
Email: warranty@beaconlighting.com.au



CEILING FAN WARRANTY INFORMATION

LUCCI WARRANTY HOTLINE- 1800 602 243

Complete and retain this form for your personal records and warranty purposes.

NAME.....

ADDRESS.....

.....POSTCODE.....

MODEL NUMBER.....

PO NUMBER or DATECODE (PO# + DATECODE Sticker here)

DATE OF PURCHASE.....

INSTALLING LICENSED ELECTRICIAN.....

.....

LICENCE No.....

ATTACH PROOF OF PURCHASE HERE

THIS COMPLETED DETAIL PAGE SHOULD BE PRODUCED AND FAXED TO THE WHOLESALER OR THEIR AUTHORISED AGENTS BEFORE OBTAINING WARRANTY SERVICE

