

LEDLUX TORQUAY WALL BRACKET

SKU#190670, 190671, 190672, 190673

Rated Voltage 220-240V~ 50Hz

Thank you for purchasing this quality Lucci product. To ensure correct function and safety, please read and follow all instructions carefully before assembly, installation and use of this product. Please keep instructions for future reference.

Warranty

- This fitting is covered by a 3 year warranty. The warranty is from date of purchase, not the date of installation.
- If the fitting is not installed by a licensed electrician it will void the warranty.
- Please retain proof of purchase and evidence of installation by a licensed electrician for any warranty enquiries.
- The use of non-recommended dimmers may damage your LED light fitting and will void the warranty.
- Warranty will be void if there is any damage due to improper usage or modification to the fitting.
- Failure to comply with the instructions in this manual may increase the risk of damage or injury and will void warranty.

Installation Requirements

- Must be installed by a licensed electrician.
- All wiring and installation of the light fitting must adhere to local and national wiring rules. eg. AS/NZS 3000:2007/Amendment 2:2012 Electrical installations.
- Select a suitable location for installation;
 - This product is suitable for indoor use only.
 - The mounting point must support 2 times the weight of the fitting.
 - Ensure the fitting is not installed in direct line of an air vent/system and is not placed in any moist or damp areas.
- Take care not to pull any electrical wires during unpacking as this may damage the connection.
- Lay out all the components on a smooth surface and make sure there are no components missing before assembling. If parts are missing, return the complete product to the place of purchase for inspection or replacement.
- Check whether the fitting has been damaged during transport. Do not operate/install any product which appears damaged in any way. Return the complete product to the place of purchase for inspection, repair or replacement.
- Ensure power to the circuit you are working on has been switched OFF before commencing any electrical work.

Installation Directions

1. Remove all packaging material from the product and be careful not to throw away accessories that may be hidden within the packaging material.
2. Remove the mounting bracket from the lamp body by loosening the screws.
3. Use the mounting bracket as a template to mark the screw positions on the wall.
4. Install the mounting bracket onto the wall by using appropriately sized mounting screws and anchors (fig 2). Ensure the screws and anchors used are suitable for the mounting surface.
5. Pull the terminal block out from the lamp body hole and connect the mains supply wire.

Mains Supply Wire	Fitting Wire
Neutral – Blue or Black	Blue
Live – Brown or Red	Brown

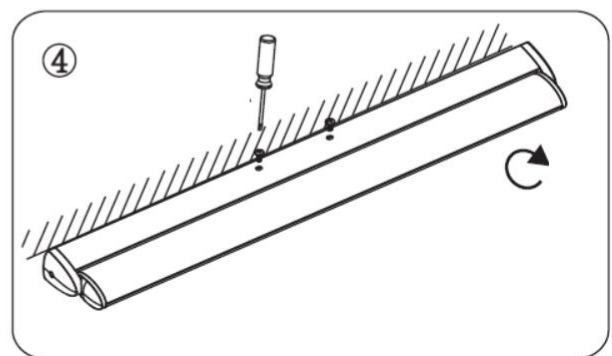
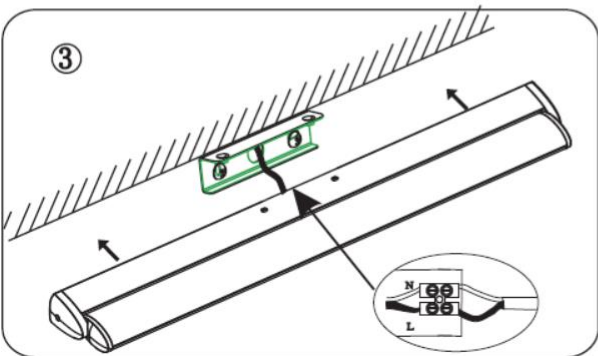
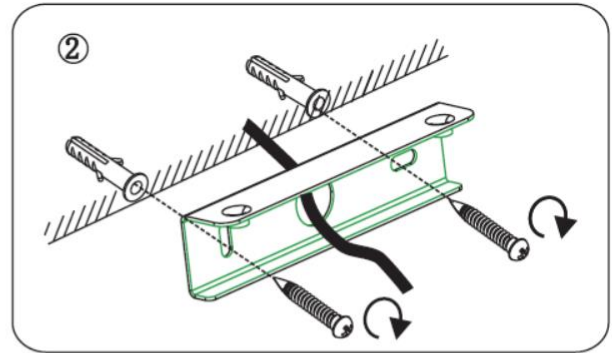
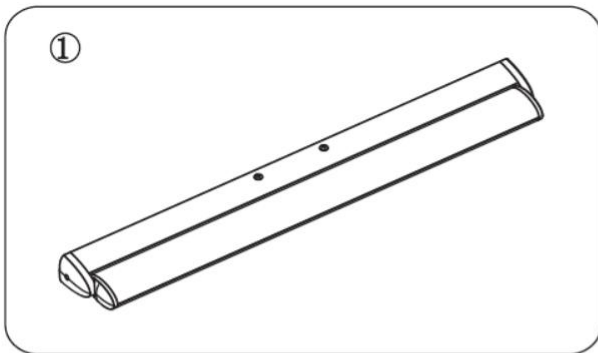
6. Ensure the wires are secure and no bare wires are exposed (fig 3).

7. Put the terminal block back into the lamp body hole.

8. Attach the lamp body onto the mounting bracket and secure it by inserting the screws through the lamp body

hole. Finally tighten the screws using the screw driver (fig 4).

9. Adjust the lighting object angle by turning the lamp body (fig 4).



Safety Tips

- Always ensure the power is OFF and the fitting has cooled down before performing any maintenance, cleaning or making any adjustment to the fitting.
- To avoid injury or damage to the fitting, ensure that power leads and screws are secure before connecting the power.
- Select a suitable location away from liquids and hazards.
- Ensure that the fitting does not come in contact with corrosive chemicals, etc.
- To clean, wipe with a damp clean cloth. Never soak the fitting with water.
- Handle the fitting and cover/shade with care to avoid breakage.

Troubleshooting

PROBLEM	POSSIBLE CAUSE	SUGGESTED SOLUTION
Does not work. (New installation)	Wiring loose or no power to the LED fitting.	Check your circuit breaker/safety switch box and turn on power to your circuit.
		Contact the installing licensed electrician to check if the fitting has been installed correctly.
Does not work. (Existing installation)	No power to the LED fitting.	Check your circuit breaker/safety switch box and turn on power to your circuit.
		Contact your nearest Beacon Lighting store.

Specifications		
SKU #	190670,190671	190672, 190673
Insulation Class	Class II	
Rated Voltage	220-240V~ 50Hz	
Rated Wattage	10W	16W
LED Specs	HONGLI LEDs, NON dimmable 4000K,800lm	HONGLI LEDs, NON dimmable 4000K, 1200lm
Weight	0.54kg	0.8kg
Dimensions	H36 x W550X E77mm	H36 x W900 x E77mm