

## LEDLUX GOUGH WALL BRACKET

SKU# 190660, 190661

Rated Voltage 220-240V~ 50Hz

Thank you for purchasing this quality Lucci product. To ensure correct function and safety, please read and follow all instructions carefully before assembly, installation and use of this product. Please keep instructions for future reference.

### Warranty

- This fitting is covered by a 3 year warranty. The warranty is from date of purchase, not the date of installation.
- If the fitting is not installed by a licensed electrician it will void the warranty.
- Please retain proof of purchase and evidence of installation by a licensed electrician for any warranty enquiries.
- The use of non-recommended dimmers may damage your LED light fitting and will void the warranty.
- Warranty will be void if there is any damage due to improper usage or modification to the fitting.
- Failure to comply with the instructions in this manual may increase the risk of damage or injury and will void warranty.

### Installation Requirements

- Must be installed by a licensed electrician.
- All wiring and installation of the light fitting must adhere to local and national wiring rules.  
eg. AS/NZS 3000:2007/Amendment 2:2012 Electrical installations.
- Select a suitable location for installation;
  - This product is suitable for indoor use only.
  - The mounting point must support 2 times the weight of the fitting.
  - Ensure the fitting is not installed in direct line of an air vent/system and is not placed in any moist or damp areas.
- This fitting is dimmable and has been tested with Lucci LEDlux SKU# 290998 dimmer, Clipsal 32E450TM, 31E2RUDM and Clipsal 32E450UDM dimmers only. The use of a LED dimmer such as the Lucci LEDlux SKU# 290998 dimmer is highly recommended.

**NOTE:** For the best dimming range, use with the Lucci LEDlux SKU# 290998 dimmer and adjust the variable resistor at minimum and maximum dimming positions on the dimmer during the installation.

**NOTE:** The use of non-recommended dimmers may damage your LED light fitting and will void the warranty.

**NOTE:** Dimming may cause buzzing sounds or a slight flicker. There may be slight delays with the LED light start up or slight uneven light performance when more than one LED light fitting is linked together, switched ON or dimmed. This is not a product fault and as such is not covered under warranty.

**NOTE:** Some dimmers have a minimum load of 20W. Ensure the dimmer position is on the maximum setting before turning on the LED light and adjust the dimmer down to your desired light level.

- Take care not to pull any electrical wires during unpacking as this may damage the connection.
- Lay out all the components on a smooth surface and make sure there are no components missing before assembling. If parts are missing, return the complete product to the place of purchase for inspection or replacement.
- Check whether the fitting has been damaged during transport. Do not operate/install any product which appears damaged in any way. Return the complete product to the place of purchase for inspection, repair or replacement.
- Ensure power to the circuit you are working on has been switched OFF before commencing any electrical work.

### Installation Directions

1. Remove all packaging material from the product **and be careful not to throw away accessories that may be hidden within the packaging material.**
2. Remove the mounting bracket from the lamp body by loosening the screws.

3. Use the mounting bracket as a template to mark the screw positions on the wall.
4. Install the mounting bracket onto the wall by using appropriately sized mounting screws and anchors (fig 1). Ensure the screws and anchors used are suitable for the mounting surface.
5. Pull the terminal block out from the lamp body hole and connect the mains supply wire.

**Mains Supply Wire**

Neutral – Blue or Black

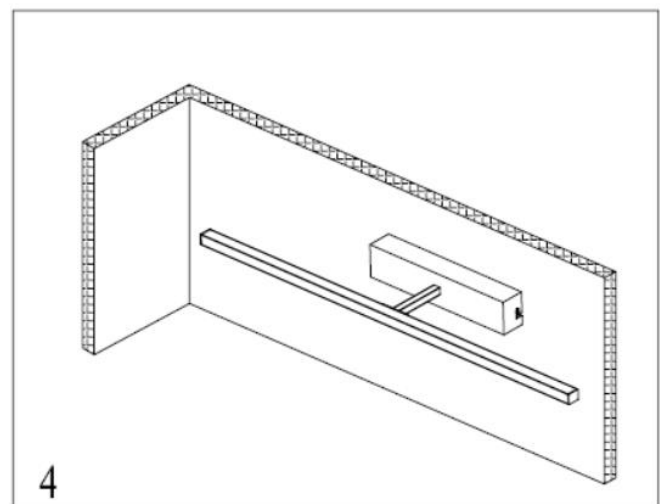
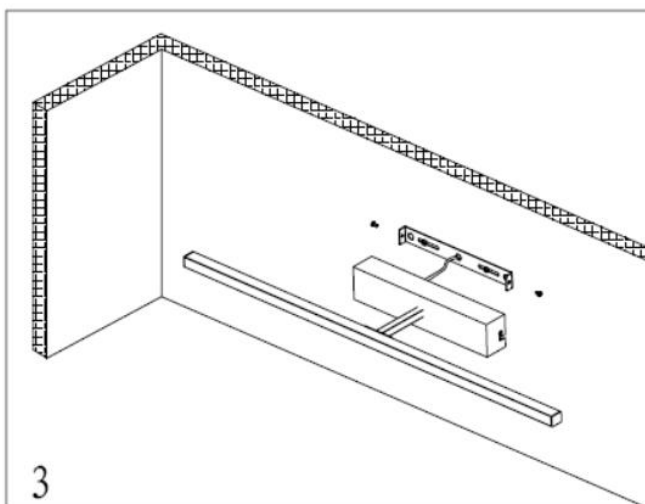
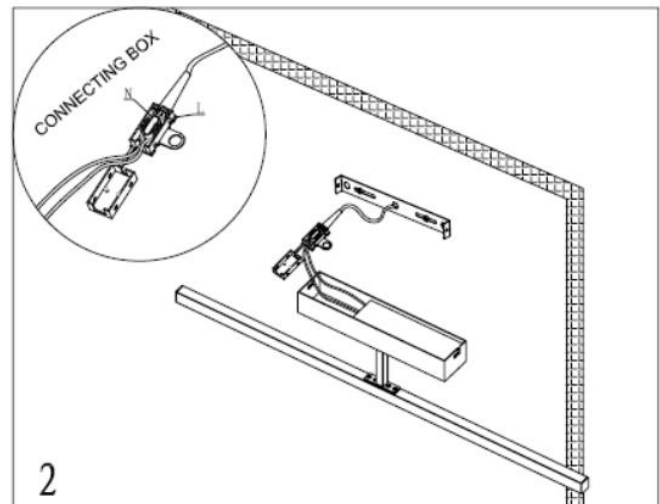
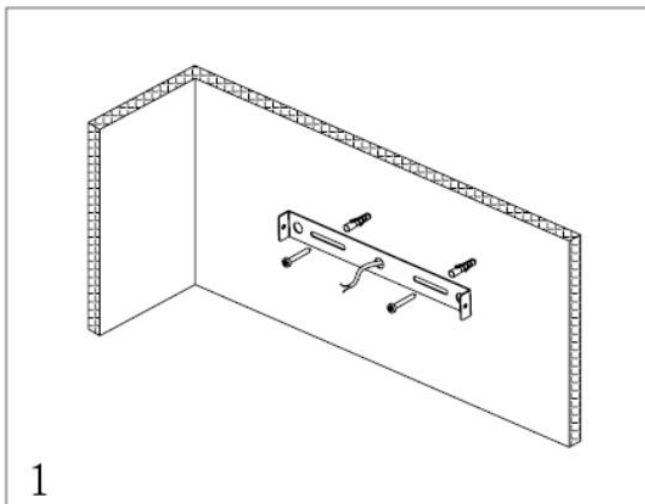
Live – Brown or Red

**Fitting Wire**

Blue

Brown

6. Ensure the wires are secure and no bare wires are exposed (fig 2).
7. Put the terminal block back into the lamp body hole (fig 3).
8. Attach the lamp body onto the mounting bracket and secure it by inserting the screws through the lamp body hole. Finally tighten the screws using the screw driver (fig 4).



## Safety Tips

- Always ensure the power is OFF and the fitting has cooled down before performing any maintenance, cleaning or making any adjustment to the fitting.
- To avoid injury or damage to the fitting, ensure that power leads and screws are secure before connecting the power.
- Select a suitable location away from liquids and hazards.
- Ensure that the fitting does not come in contact with corrosive chemicals, etc.
- To clean, wipe with a damp clean cloth. Never soak the fitting with water.
- Handle the fitting and cover/shade with care to avoid breakage.

Troubleshooting		
PROBLEM	POSSIBLE CAUSE	SUGGESTED SOLUTION
Does not work. (New installation)	Wiring loose or no power to the LED fitting.	Check your circuit breaker/safety switch box and turn on power to your circuit.
		Contact the installing licensed electrician to check if the fitting has been installed correctly.
Does not work. (Existing installation)	No power to the LED fitting.	Check your circuit breaker/safety switch box and turn on power to your circuit.
		Contact your nearest Beacon Lighting store.
Flickers when dimming. (New installation)	Non-recommended dimmer used.	Check the dimmer used. Ensure the dimmer used is on the list of recommended dimmers in this manual.
	Some dimmers have a variable loading adjustment function. eg. Lucci LEDlux SKU# 290998 dimmer. This may not have been adjusted during the installation of the dimmer.	The variable resistor needs to be adjusted to suit the LED fitting load to reduce the flickering.
Flickers when dimming. (Existing installation)	Dimmer position on low.	Ensure the dimmer position is on the maximum setting before turning on the LED fitting and adjust the dimmer down to your desired light level.
Buzzing sound.	Non-recommended dimmer used.	Check the dimmer used. Ensure the dimmer used is on the list of recommended dimmers in this manual.
Uneven light start up.	Dimmer position on low when switched on.	Ensure the dimmer position is on the maximum setting before turning on the LED fitting and adjust the dimmer down to your desired light level.

Specifications		
SKU #	190660	190661
Insulation Class	Class II	
Rated Voltage	220-240V~ 50Hz	
Rated Wattage	20W	
LED Specs	LIGHTNING LEDs, dimmable 3000K, 850lm	
Dimmer Information	Lucci LEDlux SKU# 290998 dimmer (Highly Recommended); Clipsal 32E450TM, 31E2RUDM and 32E450UDM (Compatible); (Please refer to the Installation Requirements or Troubleshooting section in this manual for more information on the recommended dimmers, performance, operation and tips.)	
Weight	0.55kg	
Dimensions	H45 x W600 x E127mm	