

## NEVE LED FLUSH MOUNT

SKU# 189135, 189136

Rated Voltage 220-240V~ 50Hz

Thank you for purchasing this quality Bayside product. To ensure correct function and safety, please read and follow all instructions carefully before assembly, installation and use of this luminaire. Please keep instructions for future reference.

### Warranty

- This luminaire is covered by a 2 year warranty. The warranty is from date of purchase, not the date of installation.
- If the luminaire is not installed by a licensed electrician it will void the warranty.
- Please retain proof of purchase and evidence of installation by a licensed electrician for any warranty enquiries.
- Warranty will be void if there is any damage due to improper usage or modification to the luminaire.
- This luminaire is not suitable for use with dimmer switches. Warranty will be void if the luminaire is used on the same circuit which has a dimmer switch.
- Failure to comply with the instructions in this manual may increase the risk of damage or injury and will void warranty.

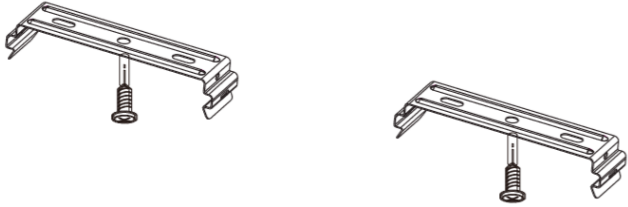
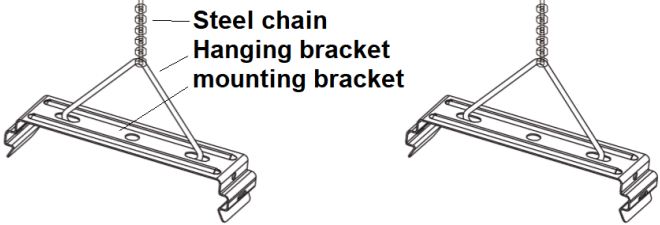
### Installation Requirements

- Must be assembled and installed by a licensed electrician.
- All wiring and installation of the light fitting must adhere to local and national wiring rules.  
eg. AS/NZS 3000:2007/Amendment 2:2012 Electrical installations.
- This is a CLASS I product and must be earthed.
- This luminaire is rated IP65, this must be maintained during wiring and installation.
- Select a suitable location for installation:
  - This luminaire is protected against water penetration to IP65 standards, which is jets of water from any direction.
  - The mounting point must support 2 times the weight of the luminaire.
- Take care not to pull any electrical wires during unpacking as this may damage the connection.
- Lay out all the components on a smooth surface and make sure there are no components missing before assembling. If parts are missing, return the complete product to the place of purchase for inspection or replacement.
- Check whether the luminaire has been damaged during transport. Do not operate/install any luminaire which appears damaged in any way. Return the complete product to the place of purchase for inspection, repair or replacement.
- Ensure power to the circuit you are working on has been switched OFF, before commencing any electrical work.

## Installation Directions


Remove all packaging material from the product and be careful not to throw away accessories that may be hidden within the packaging material. If assembly is required, place the luminaire on a smooth non-scratch surface.

1. Open the luminaire by unclipping the clips on the side. Fig.1
2. Carefully lift the LED module plate to find the accessories bag. Fig.1
3. Select the installation type suitable for your location:


<b>Flush mount installation:</b>	<b>Suspension installation:</b>
 <p>Mark the screw position on the ceiling refer to dimension A in the specifications table. Install the mounting brackets onto the ceiling using appropriate size mounting screws. Ensure the screws are suitable for the mounting surface and surrounding environment.</p>	 <p>Install the steel chain hanging system (not included) on the ceiling refer to dimension A in specifications table. Secure the hanging bracket to steel chain and the mounting brackets.</p>

4. Push and press the luminaire onto the mounting brackets. Fig. 2
5. Install the cable gland onto the luminaire. Insert the mains supply wire through the cable gland. Fig. 3
6. Attach the LED module plate to the luminaire using the hanging strips. Fig. 4
7. Connect the main supply wire to the terminal block. Ensure wires are secure and no bare wires are exposed. Tighten the cable gland Fig.4

**Mains Supply Wire**

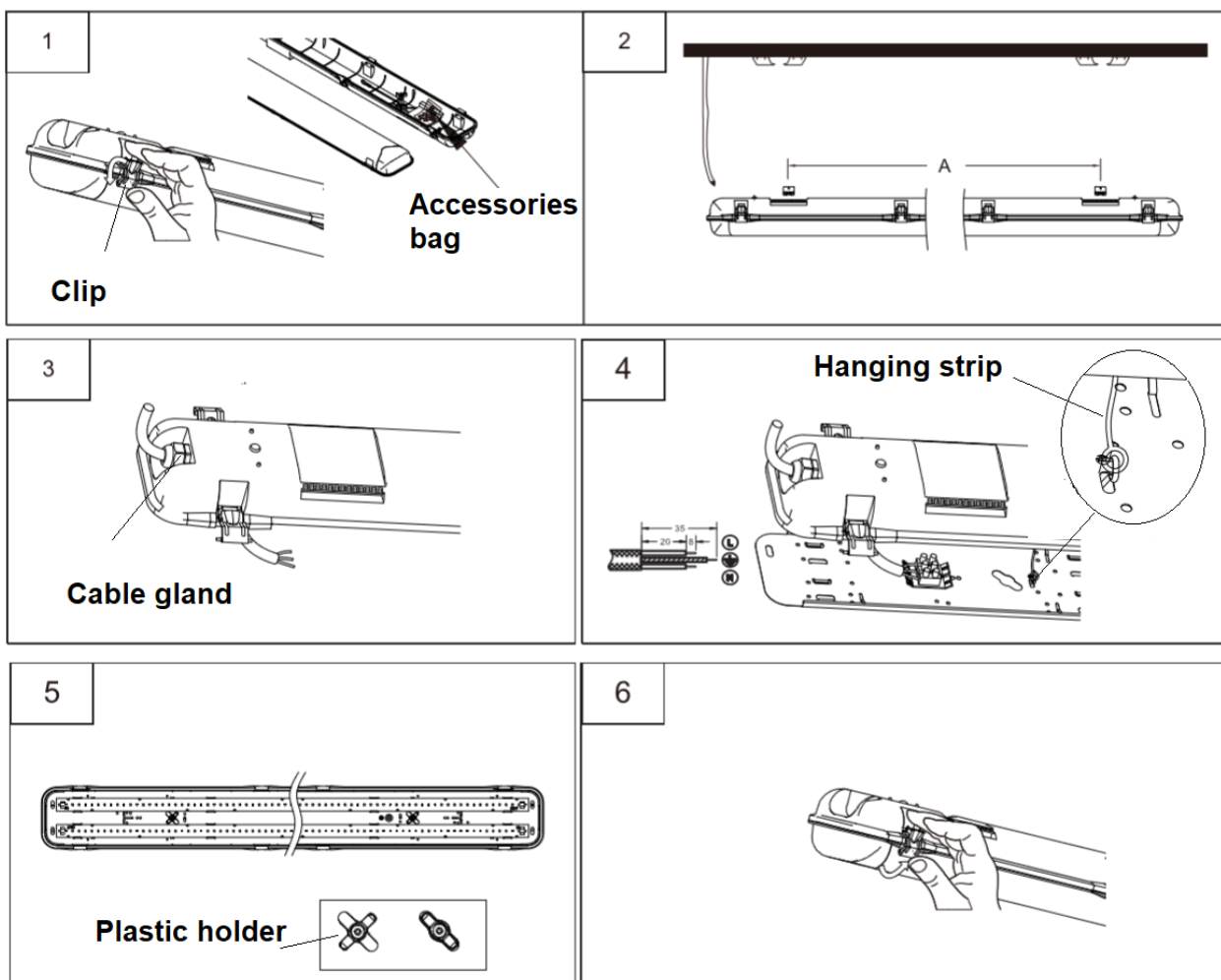
Earth – Yellow/Green   
 Neutral – Blue or Black  
 Live – Brown or Red

**Luminaire Wire**

Yellow/Green   
 Blue or N  
 Brown or L

Ensure wires are secure and no bare wires are exposed. And tightening the cable gland.

8. Install the LED module plate into the luminaire and secure it by rotating the plastic wing nut. Fig.5
9. Install the diffuser onto the luminaire and secure by locking the clips on the side. Fig.6
10. After the installation, switch on the fitting to test and enjoy your new lighting product.



## Safety tips

- Always ensure the power is OFF and the fitting has cooled down before performing any maintenance, cleaning or making any adjustment to the luminaire.
- To avoid injury or damage to the luminaire, ensure that power leads and screws are secure before connecting the power.
- Select a suitable location away from hazards.
- The luminaire must not be used if the shade has been cracked. Replace any cracked protective shield.
- To clean, wipe with a soft damp cloth. Do NOT soak or immerse the product in water or other liquids.
- Ensure that the luminaire does not come in contact with corrosive chemicals/solvents or abrasive cleaners etc.
- The light source contained in this luminaire shall only be replaced by the manufacturer or his service agent or a similar qualified person.

## Specifications

SKU #	189135	189136
Colour #	Grey with Frost Shade	
Rated Voltage	220-240V~ 50Hz	
Rated Wattage	25W	50W
LED	LEXTAR LEDS, 4000K, 2000 lumens	LEXTAR LEDS, 4000K, 4500 lumens
Weight	1.35kg	2.25kg
IP Rating	IP65	
Dimensions	L:670mm W:140mm H:90mm	L:1274mm W:140mm H:90mm
Dimension A	350mm	900mm