

LEDLUX FROST FLUSH MOUNT

SKU# 189110, 189111, 189112, 189113, 189114, 189115

Rated Voltage 220-240V~ 50Hz

Thank you for purchasing this quality Lucci product. To ensure correct function and safety, please read and follow all instructions carefully before assembly, installation and use. Please keep instructions for future reference.

Warranty

- This fitting is covered by a 3 year warranty. The warranty is from date of purchase, not the date of installation.
- If the fitting is not installed by a licensed electrician it will void the warranty.
- Please retain proof of purchase and evidence of installation by a licensed electrician for any warranty enquiries.
- This light fitting is not suitable for use with dimmer switches. Warranty will be void if the fitting is used on the same circuit which has a dimmer switch.
- Warranty will be void if there is any damage due to improper usage or modification to the fitting.
- Failure to comply with the instructions in this manual may increase the risk of damage or injury and will void warranty.


Installation requirements

- Must be installed by a licensed electrician.
- All wiring and installation of the light fitting must adhere to local and national wiring rules. eg. AS/NZS 3000:2007/Amendment 2:2012 Electrical installations.
- Select a suitable location for installation:
 - This product is suitable for indoor use only.
 - The mounting point must support 2 times the weight of the fitting.
 - Ensure the fitting is not installed next to any air vent system.
 - When installing a fitting in an area prone to moisture, ensure that the area is well ventilated and an appropriately rated exhaust fan is used if required. Damage or corrosion caused by moisture is not a product fault, and as such is not covered under warranty.
- Take care not to pull any electrical wires during unpacking as this may damage the connection.
- Lay out all the components on a smooth surface and make sure there are no components missing before assembling. If parts are missing, return the complete product to the place of purchase for inspection or replacement.
- Check whether the fitting has been damaged during transport. Do not operate/install any product which appears damaged in any way. Return the complete product to the place of purchase for inspection, repair or replacement.
- Ensure power to the circuit you are working on has been switched OFF before commencing any electrical work.


Installation directions

1. Remove all packaging material from the product and be careful not to throw away accessories that may be hidden within the packaging material.
2. Remove the shade (C) from the fitting by pulling the plastic hook out (A). Fig. 1
3. Use the lamp base (B) as a template to mark the screw positions onto the ceiling.
4. Install the fitting onto the ceiling by using appropriately sized mounting screws (H) and anchors (G). Fig. 2
Ensure the mounting screws and anchors used are suitable for the mounting surface.
5. Remove the terminal block cover (E) by loosening the screw (D). Connect the mains supply wires to the terminal block (F). Fig. 2

Mains Supply Wire

Earth – Yellow/Green 
 Neutral – Blue or Black
 Live – Brown or Red

Fitting Wire

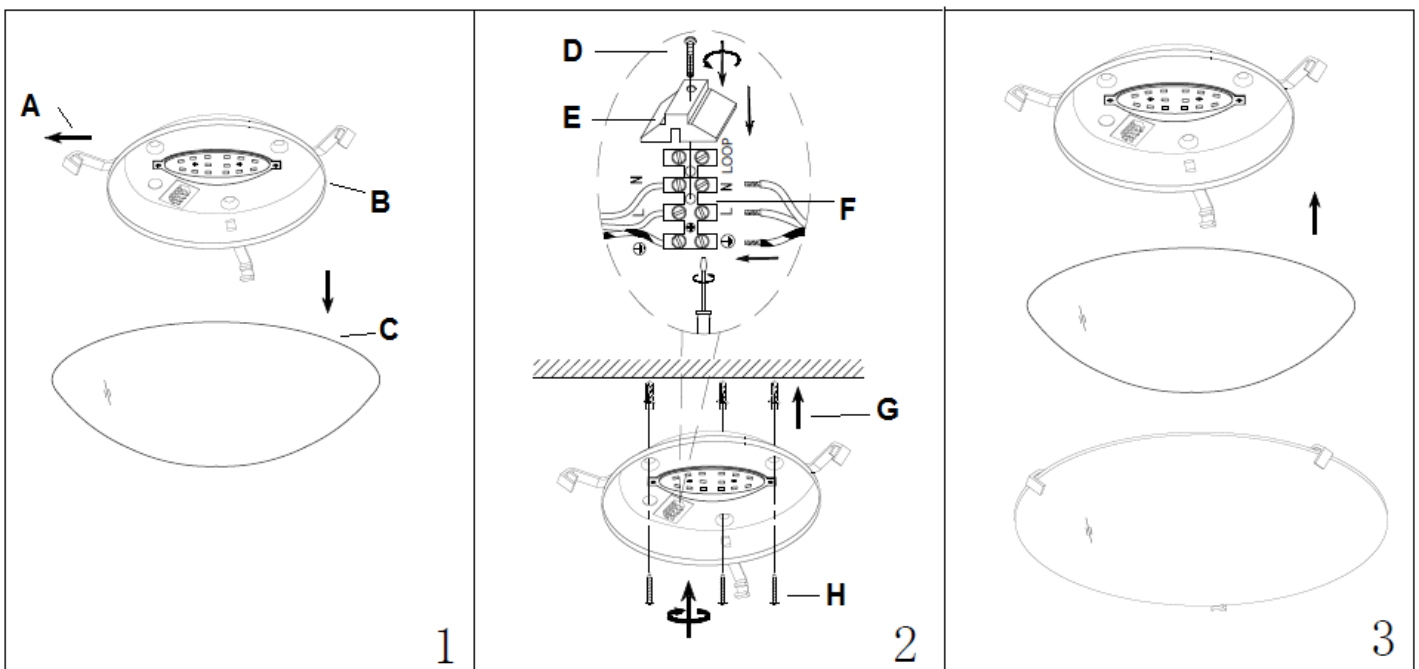
Yellow/Green 
 Blue (N)
 Brown (L)

Ensure that the wires are secure and no bare wires are exposed. Install the cover back over the terminal block.

NOTE: A loop terminal is provided on the terminal block. Please see the **LOOP TERMINAL** section for assistance with the wiring connection and a diagram. Fig. 4

6. Install the shade (C) back to lamp base (B). Fig. 3
7. The fitting has a 3-step dimmable function which is controlled by an ON/OFF switch (not included). Turn the power ON/OFF to the fitting 4 times within 2 seconds, the fitting will light up in the following order:
 - Stage 1. Toggle the switch ON, the fitting will light up at 100% brightness.
 - Stage 2. Toggle the switch OFF and then ON, the fitting will light up at 60% brightness.
 - Stage 3. Toggle the switch OFF and then ON, the fitting will light up at 10% brightness.
 - Stage 4. Toggle the switch OFF and then ON, the fitting will be at 100% brightness as in Stage 1.
 To switch back to 100% brightness at any stage, turn OFF the fitting, and then after 4 seconds turn ON the switch. The fitting will reset to 100% brightness.

NOTE: This globe is not suitable for use with Solid-state or Phase type dimmers. Warranty will be void if the globe is used on the same circuit which has Solid-state or Phase type dimmers.



LOOP TERMINAL:

The loop terminal is provided as a second live supply terminal. It is useful when a switch is included into the wiring as shown in the diagram below. Fig. 4

WARNING: ALL WIRING CONNECTION AND DISCONNECTION MUST BE PERFORMED BY A LICENSED ELECTRICIAN.

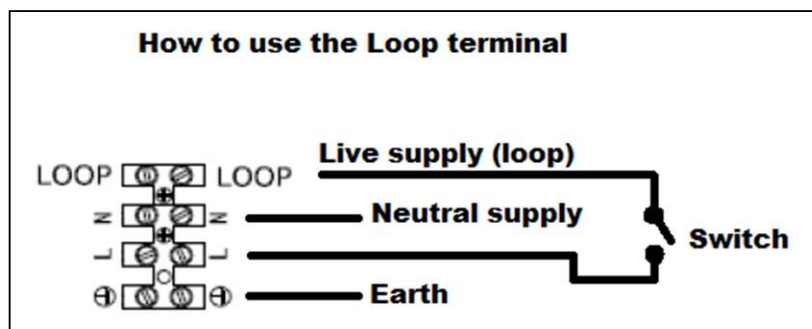


Fig. 4

Safety tips

- Always ensure the power is OFF and the fitting has cooled down before performing any maintenance, cleaning or adjustment to the fitting.
- To avoid injury or damage to the fitting, ensure that power leads and screws are secure before connecting the power.
- Ensure that the fitting does not come in contact with corrosive chemicals, etc.
- To clean, wipe with a damp clean cloth. Never soak the fitting with water.

Specifications

SKU #	189110	189111	189112	189113	189114	189115
Colour	Frosted Glass					
Insulation Class	Class I					
Rated Voltage	220-240V~ 50Hz					
Rated Wattage	10W		15W		21W	
LED Specs	HONGLI LEDs,4000K, 500lm	HONGLI LEDs,3000K, 450lm	HONGLI LEDs,4000K, 750lm	HONGLI LEDs,3000K, 650lm	HONGLI LEDs,4000K, 1050lm	HONGLI LEDs,3000K, 950lm
Weight	0.53kg		0.88kg		1.51kg	
Dimensions	H:75mm Dia: 250mm		H:85mm Dia: 300mm		H:105mm Dia: 400mm	