

LEDlux Remmi 200mm Round

SKU# 189071, 189072

Rated Voltage 220-240V~ 50Hz

Thank you for purchasing this quality Lucci product. To ensure correct function and safety, please read and follow all instructions carefully before assembly, installation and use. Please keep the instructions for future reference.

Warranty

- This light fitting is covered by a 3 year warranty. The warranty is from date of purchase, not the date of installation.
- If the fitting is not installed by a licensed electrician the warranty will be void.
- Please retain proof of purchase and evidence of installation by a licensed electrician.
- The use of non-recommended dimmers will void the warranty and may damage your LED light fitting.
- Warranty will be void if there is any damage due to improper usage or modification to the fitting.
- Failure to comply with the instructions in this manual may increase the risk of damage or injury and will void warranty.

Installation requirements

- Must be installed by a licensed electrician.
- This is a Class II fitting, ensure this is maintained during installation.
- All wiring and installation of the light fitting must adhere to local and national wiring rules.
eg. AS/NZS 3000:2007/Amendment 2:2012 Electrical installations.
- Select a suitable location for installation;
 - Rated ambient temperature Ta:40°C.
 - The mounting point must support 2 times the weight of the fitting.
 - This fitting is suitable for indoor or outdoor use, provided that it is installed under cover or under eaves.
 - This fitting is protected against water penetration to IP44 standards, which is water splashing in every direction.
Do not use a hose or high pressure washer on this product.
 - Ensure the fitting is not installed next to any air vents and is not in any moist or damp areas.
- This fitting is dimmable and has been tested with the Clipsal 32E450TM, 32E450UDM and Lucci SKU# 290998 dimmers only. The use of non-recommended dimmers will void warranty and may damage your LED light fitting.
NOTE: For the best dimming range use with Lucci LEDlux SKU# 290998 dimmer and adjust the variable resistor at minimum and maximum dimming positions on the dimmer during the installation.
NOTE: Dimming may cause buzzing sounds or a slight flicker. There may be slight delays with the LED light start up or slight uneven light performance when more than one LED light fitting is linked together, switched ON or dimmed. This is not a product fault and as such is not covered under warranty.
NOTE: Some dimmers have a minimum load of 20W. Before turning on the LED fitting, ensure the dimmer position is on the maximum setting.
- Take care not to pull any electrical wires during unpacking as this may damage the connection.
- Lay out all the components on a smooth surface and make sure there are no components missing before assembling. If parts are missing, return the complete product to the place of purchase for inspection or replacement.
- Check whether the fitting has been damaged during transport. Do not operate/install any product which appears damaged in any way. Return the complete product to the place of purchase for inspection, repair or replacement.
- Ensure power to the circuit you are working on has been switched OFF before commencing any electrical work.

Installation directions

Remove all packaging material from the product and be careful not to throw away accessories that may be hidden within the packaging material.

1. Remove the mounting bracket by loosening the screws on the side of the fitting with the allen key provided. Use the mounting bracket as a template to mark the screw positions onto the mounting surface. Install the mounting bracket onto the mounting surface by using appropriately sized mounting screws and anchors. Ensure the screws and anchors used are suitable for the mounting surface.
2. Remove the cover from the terminal block.
3. Connect the mains supply wire to the fitting. Ensure the wires are secure and no bare wires are exposed.

Mains Supply Wire

Neutral – Blue or Black

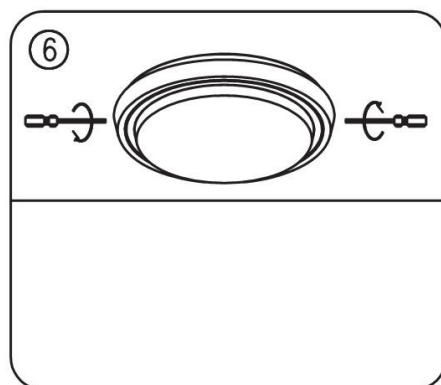
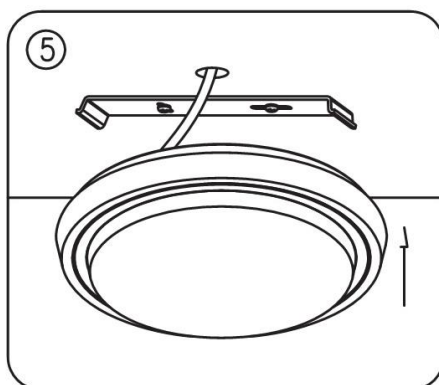
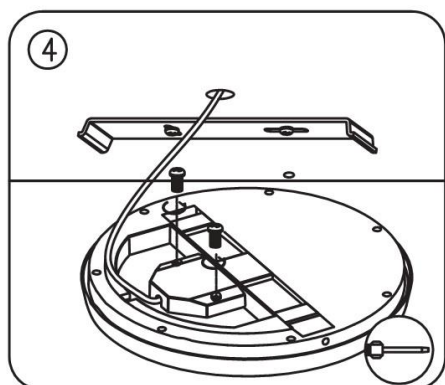
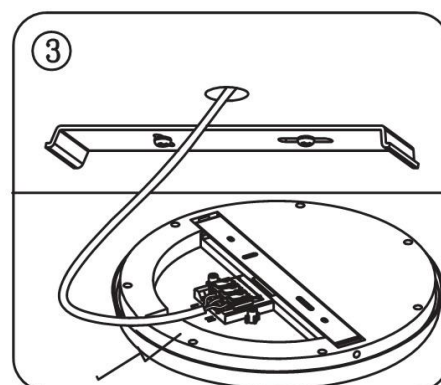
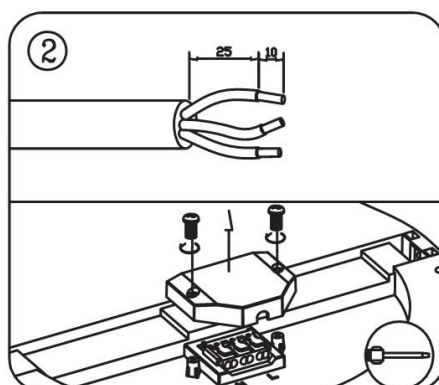
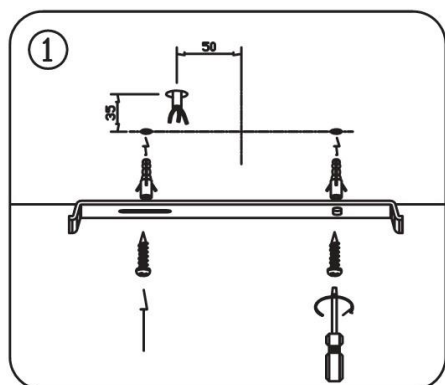
Live – Brown or Red

Fitting Wire

Blue

Brown

4. Install the cover back over the terminal block.
5. Install the fitting back onto the mounting bracket.
6. Secure the fitting by tightening the screws on the sides to the mounting bracket.



Safety tips

- Always ensure the power is OFF and the fitting has cooled down before performing any maintenance, cleaning or making any adjustment to the fitting.
- To avoid injury or damage to the fitting, ensure that power leads and screws are secure before connecting the power.
- Select a suitable location away from liquids and hazards.
- Ensure that the fitting does not come in contact with corrosive chemicals, etc.
- To clean, wipe with a damp clean cloth. Never soak the fitting with water.

Specifications

| SKU # | 189071 | 189072 |
|---------------------------|--------------------------|--------------------------|
| Rated Voltage | 220-240V~ 50Hz | |
| Rated Power | 18W Max. | |
| Insulation Class | Class II | |
| LED specs | 1200lm CRI 80 Cool White | 1100lm CRI 80 Warm White |
| Rated Ambient Temperature | Ta:40°C | |
| IP Rating | IP44 | |
| Weight | 0.8kg | |
| Dimensions | H:38mm Dia:200mm | |