

**Installation Instructions**  
**020099 (MB4512-1A)**  
**Rated Voltage 220-240V, 50Hz**

**PLEASE READ ALL INSTRUCTIONS CAREFULLY BEFORE USING THE PRODUCT AND KEEP THE INSTRUCTIONS FOR FUTURE REFERENCE.**

**WARNING** - to reduce the risk of fire, electrical shock or injury to persons or property, please follow the guideline below for safe use and installation.

**INSTALLATION REQUIREMENTS:**

- Must be installed by a licensed Electrician.
- Must be installed according to the current wiring rules AS/NZS3000.
- Suitability for use “indoors”.
- This fitting may not be suitable for dimming and may cause buzzing sounds in some areas.

**INSTALLATION DIRECTION:**

- Check whether the fitting has been damaged during transport. Do not operate/install any product which appears damaged in any way. Return the complete product to the place of purchase for inspection, repair or replacement.
  - Ensure all power connection is off for your own safety.
  - Level all the components on a smooth surface and make sure there is no component missing before assembly.
1. Remove the mounting plate from the fitting. Carefully mark holes on the wall for fixing. Take care when drilling holes that the drill does not damage the mains supply wires. Screw the mounting plate to the wall using the screws.
  2. Connect the mains supply wire to the light fitting using the terminal block provided. Ensure that the wires are secure and no bare wires are exposed.

**Mains Supply Wire**

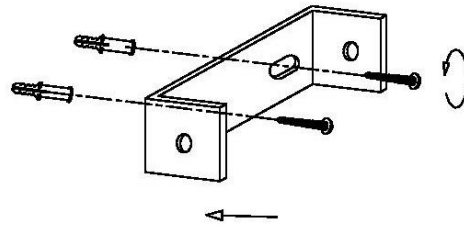
Earth – Yellow/Green  
Neutral – Blue or Black  
Live – Brown or Red

**Fitting Wire**

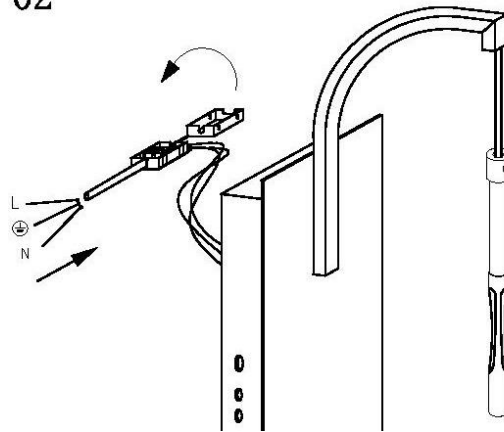
Yellow/Green  
Blue  
Brown

3. Fix the back plate over the mounting plate and secure using the nuts.
4. Slide crystal over the lamp holder and up the suspension wire.
5. Install the other half of lamp holder.
6. Install globes into socket. Do not use bare hands to touch the globes. Use a tissue or clean cloth otherwise life of the globe will decrease dramatically.
7. Slowly slide crystals back down the suspension wire.
8. Turn on power and enjoy your new lighting product.

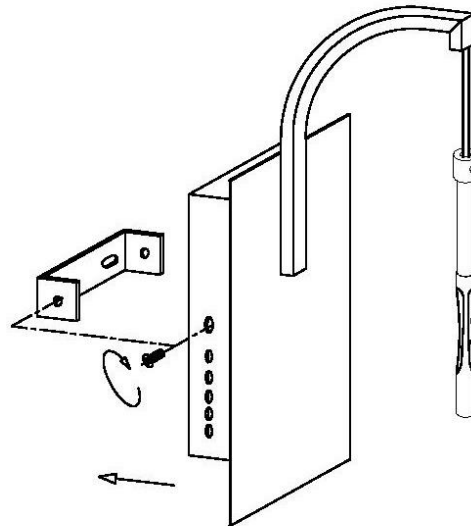
01

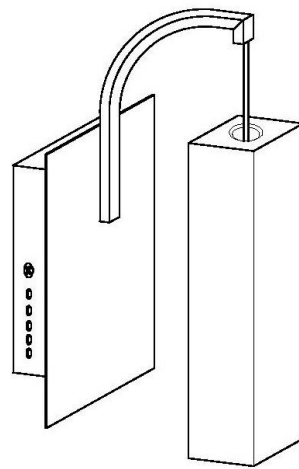
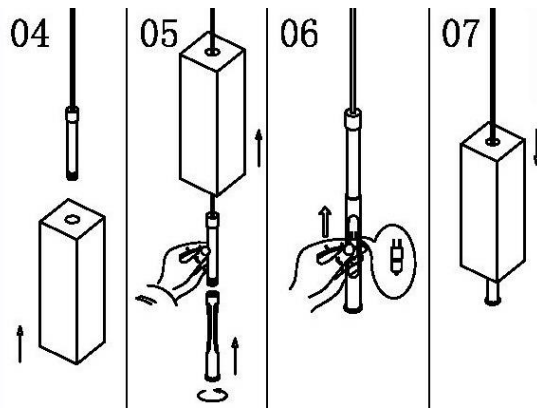


02



03





**TIPS**

1. To avoid injury or damage to the fitting, ensure that power leads and screws are secure before connection the power.
2. Handle the fitting and cover/shade with care to avoid breakage.
3. Turn OFF power and wear gloves when changing or cleaning globes.
4. Find a suitable location away from liquids and hazards.
5. Ensure that the fitting does not come in contact with corrosive chemicals, etc.
6. To clean, wipe with a damp clean cloth. Never soak the fitting with water.

**SPECIFICATIONS:**

|                      |                       |
|----------------------|-----------------------|
| <b>Model No.</b>     | 020099                |
| <b>Rated voltage</b> | 220-240V~50Hz         |
| <b>Rated wattage</b> | 20W                   |
| <b>Lampholder</b>    | G4 12V<br>1 x MAX 20W |