

AKSEL

SKU# 011212, 011213

Rated Voltage 220-240V~ 50Hz

Thank you for purchasing this quality Lucci product. To ensure correct function and safety, please read and follow all instructions carefully before assembly, installation and use of this product. Please keep instructions for future reference.

Warranty

- This light fitting is covered by a 12 month warranty. The warranty is from date of purchase, not the date of installation.
- If the fitting is not installed by a licensed electrician the warranty will be void.
- Please retain proof of purchase and evidence of installation by a licensed electrician.
- Warranty will be void if there is any damage due to improper usage or modification to the fitting.
- Failure to comply with the instructions in this manual may increase the risk of damage or injury and will void warranty.

Installation Requirements

- Must be installed by a licensed electrician.
- All wiring and installation of the light fitting must adhere to local and national wiring rules.
eg. AS/NZS 3000:2007/Amendment 2:2012 Electrical installations.
- Do not exceed the maximum wattage rating.
- Select a suitable location for installation;
 - This product is suitable for indoor use only.
 - The mounting point must support 2 times the weight of the fitting.
 - Ensure the fitting is not installed in direct line of an air vent/system and is not placed in any moist or damp areas.
- Take care not to pull any electrical wires during unpacking as this may damage the connection.
- Lay out all the components on a smooth surface and make sure there are no components missing before assembling. If parts are missing, return the complete product to the place of purchase for inspection or replacement.
- Check whether the fitting has been damaged during transport. Do not operate/install any product which appears damaged in any way. Return the complete product to the place of purchase for inspection, repair or replacement.
- Ensure power to the circuit you are working on has been switched OFF before commencing any electrical work.


Installation Directions

- Remove all packaging material from the product and be careful not to throw away accessories that may be hidden within the packaging material. To help with assembly, lay the fitting on its side on a smooth non scratch surface.
- Select the type of installation you require; Pendant or Close to Ceiling and follow the instructions and diagram.

PENDANT INSTALLATION DIRECTIONS (refer to PENDANT INSTALLATION DIAGRAM on the next page)

1. Determine the length of the suspension rod required for your installation location.
2. Install the required length of suspension rods (G, H, I, J) onto the body (K) of the fitting.
Use the rod connector (L) to join the suspension rods (G, H, I, J) together.
Ensure the rod connector (L) is threaded into the rod ends at equal lengths.
Pull the cord out as you assemble, to remove any slack. Take care not to cross thread or twist and damage the cord.
3. Pull the cord up into the canopy (E) and attach the canopy (E) to the top of the suspension rod.
4. Remove the mounting bracket (B) from the canopy (E) by loosening the nuts (F).
5. Use the mounting bracket (B) as a template to mark the screw positions on the ceiling.
6. Install the mounting bracket (B) onto the ceiling by using appropriately sized mounting screws (C) and anchors (A).
Ensure the screws (C) and anchors (A) used are suitable for the mounting surface and the surrounding environment.
7. Remove the cover from the terminal block (D) and connect the mains supply wire and fitting wires together.

Mains Supply Wire

Earth – Yellow/Green 

Neutral – Blue or Black

Live – Brown or Red

Fitting Wire

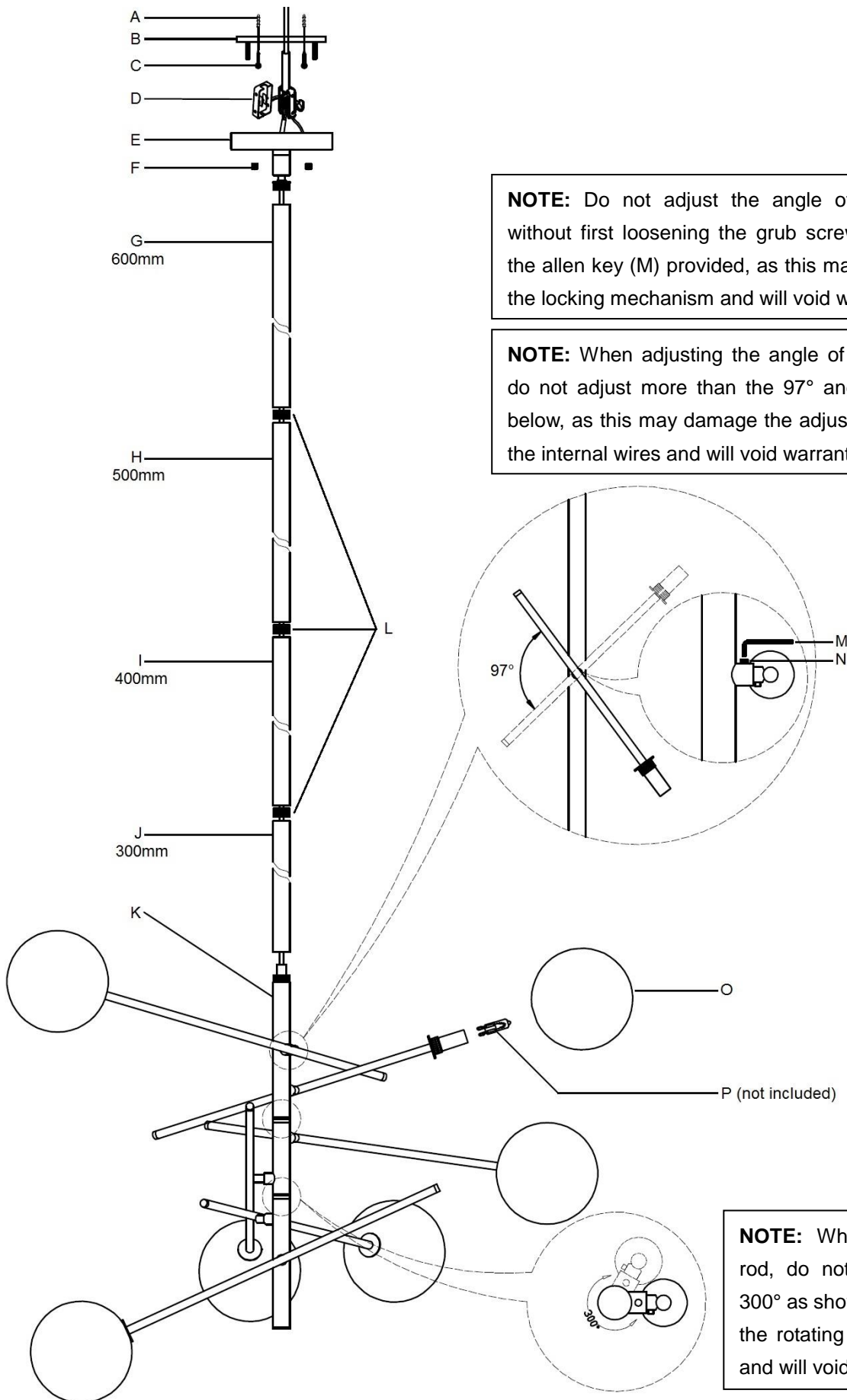
Yellow/Green or 

Blue

Brown

8. Ensure the wires are secure and no bare wires are exposed. Install the cover back over the terminal block (D).
9. Install the canopy (E) onto the mounting bracket (B) and secure by tightening the nuts (F).
10. To adjust the arms, loosen the grub screw (N) using the allen key (M) provided. Adjust the angle of the arm to your desired position and tighten the grub screw (N) using the allen key (M) to lock the arm in position.
NOTE: Do not adjust the angle of the arm without first loosening the grub screw (N) with the allen key (M) provided, as this may damage the locking mechanism and will void warranty.
NOTE: Do not adjust the arm more than the 97° angle shown on the next page, as this may damage the adjustable joint, the internal wires and will void warranty.
11. The centre rod holding the arms can also be rotated. Rotate the centre rod to your desired position.
NOTE: Do not adjust the centre rod more than the 300° angle shown on the next page, as this may damage the rotating joint, the internal wires and will void warranty.
12. After adjusting all arms to the desired angle, ensure the pendant is balanced and is not leaning over to one side.
13. Install globes (P - not included) into the lamp holders. Do not exceed the maximum wattage rating.
14. Install the glass shades (O) onto the lamp holders. Take care not to overtighten and damage the glass shades (O).
NOTE: The glass shades (O) are hand blown. Some variations may occur which is normal and part of its design quality.
15. After the installation, switch on the fitting to test and enjoy your new lighting product.

PENDANT INSTALLATION DIAGRAM



NOTE: Do not adjust the angle of the arm without first loosening the grub screw (N) with the allen key (M) provided, as this may damage the locking mechanism and will void warranty.

NOTE: When adjusting the angle of the arms, do not adjust more than the 97° angle shown below, as this may damage the adjustable joint, the internal wires and will void warranty.

NOTE: When rotating the centre rod, do not rotate more than the 300° as shown. As this may damage the rotating joint, the internal wires and will void warranty.

NOTE: The glass shades (O) are hand blown. Some variations may occur which is normal and part of its design quality.

CLOSE TO CEILING INSTALLATION (refer to CLOSE TO CEILING INSTALLATION DIAGRAM on the next page)

1. Install the 60mm centre rod (G) onto the fitting (H).
Pull the cord out as you assemble, to remove any slack. Take care not to cross thread or twist and damage the cord.
2. Pull the cord up into the canopy (E) and attach the canopy (E) to the top of the centre rod (G).
3. Remove the mounting bracket (B) from the canopy (E) by loosening the nuts (F).
4. Use the mounting bracket (B) as a template to mark the screw positions on the ceiling.
5. Install the mounting bracket (B) onto the ceiling by using appropriately sized mounting screws (C) and anchors (A).
Ensure the screws (C) and anchors (A) used are suitable for the mounting surface and the surrounding environment.
6. Remove the cover from the terminal block (D) and connect the mains supply wire and fitting wires together.


Mains Supply Wire

Earth – Yellow/Green 

Neutral – Blue or Black

Live – Brown or Red

Fitting Wire

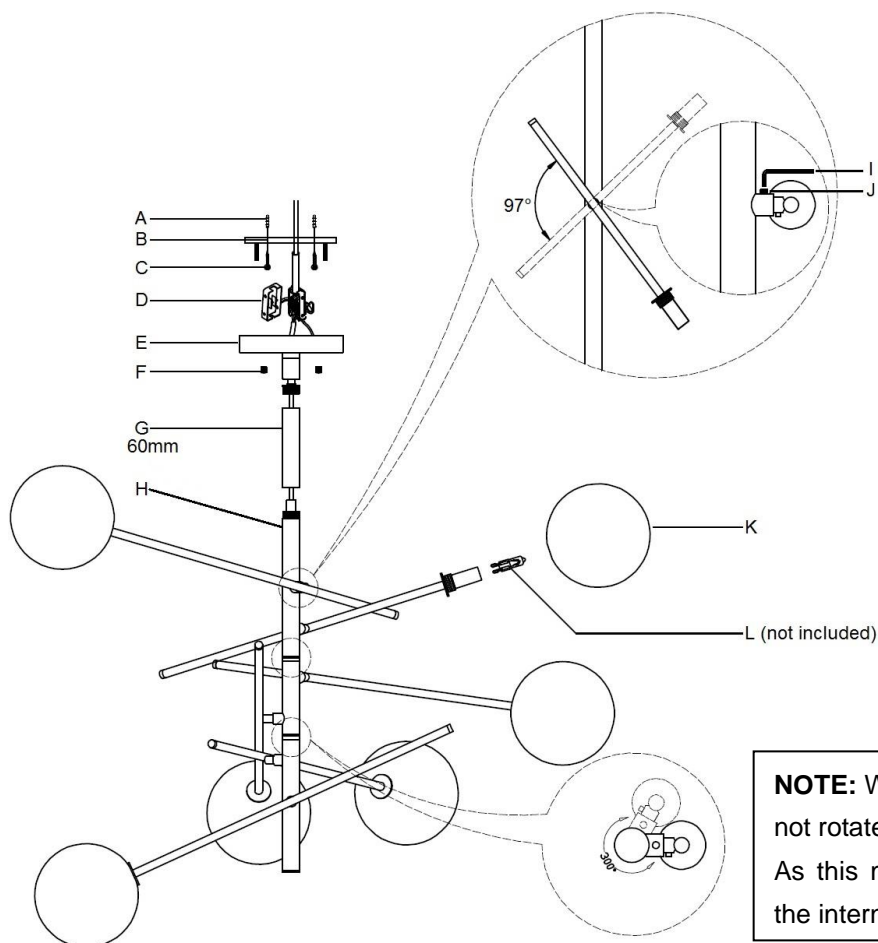
Yellow/Green or 

Blue

Brown

7. Ensure the wires are secure and no bare wires are exposed. Install the cover back over the terminal block (D).
8. Install the canopy (E) onto the mounting bracket (B) and secure by tightening the nuts (F).
9. To adjust the arms, loosen the grub screw (J) using the allen key (I) provided. Adjust the angle of the arm to your desired position and tighten the grub screw (J) using the allen key (I) to lock the arm in position.
NOTE: Do not adjust the angle of the arm without first loosening the grub screw (J) with the allen key (I) provided, as this may damage the locking mechanism and will void warranty.
NOTE: Do not adjust the arm more than the 97° angle shown on the next page, as this may damage the adjustable joint, the internal wires and will void warranty.
10. The centre rod holding the arms can also be rotated. Rotate the centre rod to your desired position
NOTE: Do not adjust the centre rod more than the 300° angle shown on the next page, as this may damage the rotating joint, the internal wires and will void warranty.
11. After adjusting all arms to the desired angle, ensure the pendant is balanced and is not leaning over to one side.
12. Install globes (L - not included) into the lamp holders. Do not exceed the maximum wattage rating.
13. Install the glass shades (K) onto the lamp holders. Take care not to overtighten and damage the glass shades (K).
NOTE: The glass shades (K) are hand blown. Some variations may occur which is normal and part of its design quality.
14. After the installation, switch on the fitting to test and enjoy your new lighting product.

CLOSE TO CEILING INSTALLATION



NOTE: Do not adjust the angle of the arm without first loosening the grub screw (J) with the allen key (I) provided, as this may damage the locking mechanism and will void warranty.

NOTE: When adjusting the angle of the arms, do not adjust more than the 97° angle shown below, as this may damage the adjustable joint, the internal wires and will void warranty.

NOTE: When rotating the centre rod, do not rotate more than the 300° as shown. As this may damage the rotating joint, the internal wires and will void warranty.

NOTE: The glass shades (K) are hand blown. Some variations may occur which is normal and part of its design quality.

Safety Tips

- Always ensure the power is OFF and the fitting has cooled down before performing any maintenance, cleaning, changing the globe or making any adjustment to the fitting.
- To avoid injury or damage to the fitting, ensure that power leads and screws are secure before connecting the power.
- Handle the fitting and glass shade with care to avoid any damage or breakage.
- Select a suitable location away from liquids and hazards.
- Ensure that the fitting does not come in contact with corrosive chemicals, etc.
- To clean, wipe with a damp clean cloth. Never soak the fitting with water.

Specifications

SKU #	011212	011213
Colour	Black	Solid Brass
Rated Voltage	220-240V~ 50Hz	
Rated Wattage	150W (6 x 25W Max.)	
Lamp Holder	G9	
Weight	5.1kg	
Dimensions	H:1300mm L:1100mm W:1100mm Susp:1800mm	